

CORE SMARTWATCH

User manual

BXSW16N, BXSW16R

1. Characteristics

1.1 Technical specifications

Display: 1.43" AMOLED Multitouch 466 x 466

Battery: Lithium polymer 260 mAh

Voltage frequency: 5V/2A 50-60 Hz

Connectivity: Bluetooth 5.0

Compatibility: Android 4.4 / iOS 9.0 and later versions

App: CO-FIT

Housing material: ABS

Display material: Toughened glass

Strap material: Silicone strap and stainless-steel buckle

Protection rating: IP67 (submersible 1 meter for 30 minutes)

Watch dimensions: 46 x 46 x 11 mm

Strap length: 22 cm

Wrist closure diameter: 14 to 19 cm

Weight: 21,5 g

Autonomy: 5 days in normal use, 2 days in intensive use

Charging time: 2 hours

Built-in microphone and speaker

Health functions: Sport monitor, pedometer, heart rate meter, blood pressure meter, blood oxygen saturation meter, stress meter, sleep monitor, menstrual cycle

Functions: Make and receive calls, notifications, voice assistants, music control, remote camera control, anti-lost function

Other functions: Alarm, calculator, calendar, stopwatch, timer, stock market information, weather, breathing exercises, sedentary reminder, etc.

Languages: English, Spanish, French, German, Italian, Portuguese, Russian, Dutch, Chinese, Japanese, Korean, Arabic, Greek, Finnish, Croatian, Turkish, Romanian, Danish, Ukrainian, Urdu, Hebrew, etc.

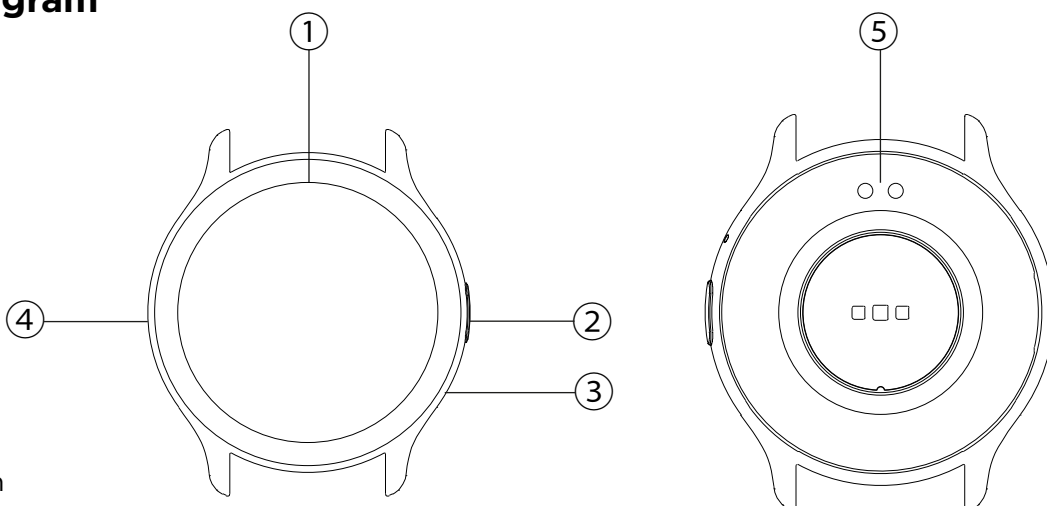
1.2 In the box

1 x Smartwatch

1 x USB-A cable with magnetic charging port (60 cm)

1 x Manual

1.3 Diagram



① Screen

② Button

③ Microphone

④ Speaker

⑤ Magnetic charging pins

1.4 How to attach and remove the straps

Although only one strap is included in the box, it can be attached and removed easily. The shorter strap must be placed in the display's top slot, while the longer strap must be placed in the display's bottom slot. Otherwise, the insertion system may be irreparably damaged.

1. To remove a strap: Hold the strap and carefully slide the metal piece out of its hole.
2. To attach a strap: Hold the strap and insert the metal piece on one end. Then, slide the metal piece on the other end and insert the end of the strap so that when you let go of the metal piece it fits into the case hole.

1.5 Charging

The Core smartwatch's full charge time is approximately 2 hours, and the battery can last up to 5 days depending on the usage.

Use the 60 cm USB-A cable with magnetic charging port that is included in the box to charge the smartwatch. Connect the USB-A connector to a charger, computer output or powerbank and place the magnetic port in a way so that it sticks to the 2 golden pins featured on the back part of the body watch.

1.6 Power on/off

To turn on the smartwatch press the button for 3 seconds.

To turn off the smartwatch, press the button for 2 seconds; 3 options will pop up: power off, factory reset and reboot. Tap on power off or any other desired option.

You can also turn it off from the power off icon on the main menu.

1.7 About IP protection rating

The Urban 4 smartwatch has an IP68 protection rating. This means that it can withstand being submersed under water 1,5 meters for up to 30 minutes. Make sure to use the auto-drain function after submerging it; you will find it in the options menu depicted as a water drop icon.

Note: In case of swimming in the sea or in a saltwater pool, it is recommended to rinse the watch with fresh water after immersion due to the corrosive effect of salt water.

2. Initial setup

2.1 Download the app

The Core smartwatch compatible app is called Co-Fit. There are several ways to download it:

- Tap here to download the Co-Fit app from Google Play or App Store.



- You can also download the app directly by typing "Co-Fit" in the Google Play or App Store search engine.

- Another way to download the app is from a QR code. This QR code will appear when you power on the smartwatch. You can also get the QR code by swiping the home screen downward and tapping on the QR icon.

2.2 Register in the app

Registering in the app is very simple.

1. When you access the app accept the permissions and choose your region. Then, you will see the following:



2. We recommend you access the app with the Google option. Once you do so, choose your Gmail or Hotmail address and you will instantly log in. Once inside you will see this screen:



3. Enter your email and tap on the send verification code option. When you do so, you will access this screen:



4. Enter the verification code that you will receive in your mail inbox. Once you do so, you are ready to go. Make sure to accept all the permissions that the app requests to ensure optimal performance and function usage.

2.3 Pairing iOS / Android devices

1. Enable your smartphone's Bluetooth.

2. Log in to the Co-Fit app and access the profile section (third option at the bottom of your screen).

3. Tap on the device option. Once you do so, you will see the devices that are ready to be bound. Tap on the device named CORE.



4. Once you tap on the device named KSIX CORE the binding process will start. When you do so, hold the watch close to your smartphone.



5. As previously mentioned, make sure to accept all the permissions that the app requests. Also make sure that it correctly binds through Bluetooth. If it does not, access your Bluetooth phone settings and select KSIX CORE.

2.4 Troubleshooting

- If the app cannot find the device, power off the smartwatch and then on again.
- If the device connects and disconnects quickly there may be an obstruction between the device and the phone. Wearing metal jewelry may interfere with the stability of the connection.
- If the device does not charge, it may be due to a dirty or rusted charging port.

3. Usage and functions

It is very important to always accept all the permissions requested by the app so that the smartwatch functions optimally. Also activate all the desired features from the device option within the profile section in the Co-Fit app.

3.1 How to browse through the smartwatch

The usage method of the Core smartwatch is very simple and intuitive:

• Via screen swipe

Swipe your finger to the right or to the left from the main screen to enter the quick access menu. To choose the features that you want to display, swipe left or right from the home screen and tap on the “+” icon. Once inside, you will see options such as heart rate, music control, sleep monitor, weather, among many more. Tap on the green “+” icon next to each function to add them to the quick access menu. When you swipe right again from the main screen, you will see that the options that you have selected will show. The left and right quick access menu are not independent, this means that whether you swipe right or left, you will have the same functions displayed but in the opposite order.

Swipe your finger downward from the main screen to access the options menu. In here you will find different functions, such as the do not disturb mode, settings, alarm, the display brightness, among others. To access any of these options, tap on the corresponding icon.

Swipe your finger upward from the main screen to view app notifications, missed calls, text messages and other notifications.

• Via button

Press the smartwatch button to access the main menu. Here you will be able to access all the smartwatch's features by tapping on the corresponding icon.

3.2 Changing the watch face

There are 2 options when it comes to changing the Core's watch face:

- The first option is from within the smartwatch. On the home screen, just tap on the display for 2 seconds and you will see multiple dial displays. Tap on the one that you like the most to make it your home screen dial.
- The second option is from within the Co-Fit app. From within the device section, tap on theme. A wide variety of themes will be displayed; download the one that you like the most and it will be added to the dial display list within your smartwatch. From within the same app section, you will also be able to access a watch face customization tool. Here, you will be able to choose the watch wallpaper, a digital or analogical dial and add sport/health data. You will also be able to use a picture of your smartphone gallery as wallpaper.

3.3 Calls

The Core smartwatch allows you to make, receive, answer and reject calls. You can maintain a phone call conversation with just the smartwatch thanks to its built-in microphone and speaker.

• Receiving, answering and rejecting calls

It is very important to have the incoming calls feature enabled to receive incoming calls. Calls will appear in real time on the screen and the watch will vibrate.

Calls can be accepted by pressing the green icon and rejected by pressing the red icon.

If the call is accepted, it can be ended by pressing the red icon. To reject the call, tap on the red icon before answering it. A lost call notification will appear on the smartwatch's display.

In case the incoming call function is not activated, the smartwatch will only display incoming call notifications, but will not emit real-time signals or vibrate.

• Making calls

There are three options when it comes to making calls:

- Call a contact: Choose up to 20 contacts from the contact synchronization option, within the Co-Fit app device section. Once you do so, access the smartwatch main menu and tap on the blue icon showing a person. Here you will see the contacts that you have previously chosen through Co-Fit. Tap on the desired contact to make the call.
- Dial: Access the smartwatch main menu and tap on the green dial icon. Once inside, you will be able to dial the phone number that you want to call. When dialed, tap on the green phone icon to make the call.
- Call menu: Access the smartwatch main menu and tap on the blue icon showing a phone. Once inside, you will see 3 options. The first option will allow you to call a contact. The second option will allow you to see a call register; tap on the desired option to make a call. The third option will allow you to dial a phone number. You can also attach this function to the quick access menu.

3.4 Notifications

The smartwatch displays your smartphone notifications. This includes apps such as: WhatsApp, Gmail, Instagram, Twitter, LinkedIn, among many others. Make sure to enable all of them through the Co-Fit app.

To access the notifications received, swipe the main screen upward.

3.5 Voice assistants

The Core smartwatch is compatible with voice assistants. To correctly configure the voice assistants, you must have successfully synchronized the smartwatch to your smartphone via Co-Fit app and enabled all accesses.

To access this function, enter the smartwatch main menu and tap on the purple icon showing sound waves. Once inside, tap on the voice assistant icon and make your request.

3.6 Music control

The smartwatch features a music control tool. Access the smartwatch main menu and tap on the musical note icon. Once inside, you will see several options:

- Play/Pause: Tap on the icon to pause or play the music that you are listening to.
- Previous song/Next song: Tap on the previous or next icon to play the previous or the next song.
- Swap device: Tap on the device icon on the bottom left to swap between the device that's playing the music. You can swap between your smartphone and the smartwatch.

You can add this tool to the quick access menu.

3.7 Remote camera control

The Core smartwatch allows you to take pictures from your smartphone remotely. Access the smartwatch main menu and tap on the camera icon. Once inside, tap on the camera to take a picture from your smartphone.

For this function to work, you must first access the Co-Fit app and leave it open.

3.8 Anti-lost function

The smartwatch features an anti-lost function. Make sure that you have enabled this option on the Co-Fit app. This tool will make your phone sound so that you can find it.

To make use of this function, access the smartwatch main menu and tap on the blue smartphone icon. Once inside, tap on the play icon to make your phone sound.

3.9 Other functions

The Core smartwatch features a wide variety of other functions, such as: alarm, calculator, calendar, stopwatch, timer, stock market information, weather, breathing exercises, sedentary reminder, among others.

4. Health

4.1 Sports

The Core smartwatch allows you to monitor a variety of sports. Access the smartwatch main menu and tap on the orange runner icon. Once inside, you will see a wide variety of sports, such as: running, climbing, cycling, football, basketball, yoga, among others.

Tap on the desired sport to start the monitorization. Once you do so, real-time sport data will show, such as: heart rate, steps taken, calories burned, and time spent. This data might vary depending on the sport performed.

You can also access running (green runner icon) and cycling (purple cyclist icon) monitorization directly from within the smartwatch main menu. You will also be able to start monitoring your sports from within the Co-Fit app, in the sports section.

4.2 Pedometer, calories and distance travelled

The smartwatch automatically registers the steps taken, the burned calories and the distance travelled. To view this information, access the smartwatch main menu and tap on the icon

with blue, green and red semicircles.

This data will also appear in the Co-Fit app status section. You can also attach this function to the quick access menu.

4.3 Heart rate meter

The Core smartwatch monitors your heart rate automatically. Enable this function from within the Co-Fit app device section and choose the monitorization interval (every 30 minutes, every hour, etc.).

You will also be able to measure your heart rate immediately. To make use of this tool, access the smartwatch main menu and tap on the red heart icon. After a few seconds, the number of heart beats per minute will be displayed.

This data will be displayed in the Co-Fit status section. You can also attach this function to the quick access menu.

4.4 Blood pressure meter

The smartwatch allows you to measure your blood pressure instantly. To do so, access the smartwatch main menu and tap on the stethoscope icon.

Once inside, tap on the play icon and stand still. After a few seconds, your blood pressure data will be displayed.

This data will be displayed in the Co-Fit status section.

4.5 Blood oxygen saturation meter

The Core smartwatch allows you to measure your blood oxygen saturation levels instantly. To make use of this tool, access the smartwatch main menu and tap on the red blood icon.

Once inside, stand still and, after a few seconds, the blood oxygen saturation values will be displayed.

This data will be displayed in the Co-Fit status section. You can also attach this function to the quick access menu.

4.6 Stress meter

The smartwatch features a stress meter. To make use of this tool, access the smartwatch main menu and tap on the blue icon showing a person and a heart.

Once inside, stand still and, after a minute, your stress data will be displayed.

This data will be displayed in the Co-Fit status section. You can also attach this function to the quick access menu.

4.7 Sleep monitor

The Core smartwatch functions while you sleep and provides statistics on the time and quality of your sleep. This tool's available information is more detailed in the Co-Fit app than in the smartwatch:

- In the smartwatch: To consult the time you have slept, access the main menu and tap on the purple moon icon. Once inside, your time slept will be displayed, as well as the time that you have been in deep sleep, light sleep and awake.
- In the app: Your sleep data will also be displayed in the Co-Fit app status section. Here, you will be able to see the time that you have slept, as well as the time that you have been in deep sleep, light sleep and awake. You will also be able to view a weekly and monthly sleeping record with all your sleep data.

You can also attach this function to the quick access menu.

4.8 Menstrual cycle

The Co-Fit app allows you to set reminders related to your menstrual cycle. Enter the Co-Fit app device section and tap on the health control option. Once inside, you will be able to set

some data that will be displayed on the smartwatch quick access menu. Data such as your period duration, cycle duration, last menstrual period, as well as period and ovulation reminders.

You will be able to see all your menstrual cycle notifications on the smartwatch quick access menu and keep up to date with your period data.

5. Exemption clause

1. The Core smartwatch heart rate and blood pressure data should not be used as the basis for any medical or diagnostic decision.
2. Only qualified medical personnel can diagnose and treat cardiovascular disease and high blood pressure problems. Contact your medical center for a medical opinion, and do not treat or diagnose yourself.
3. The Core smartwatch heart rate and blood pressure data may not be accurate due to factors such as signal interference, improper placement of the device, or weather or physiological changes.
4. Do not use the Core smartwatch data to modify your medication or medical treatment. Follow the instructions provided by authorized medical personnel.
5. We take no responsibility for the inaccuracy of the above, nor do we assume any liability for the consequences of the use of such information.

6. Maintenance recommendations

- Clean the product regularly with a dry cloth. The product must be unplugged or unplugged or switched off when cleaning.
- Keep the product's ports and connectors clean from dust, dirt, etc., to ensure proper connection.
- Avoid breaking the product. Do not place objects on it or bend it with excessive force.
- If the product has a cable, do not bend or pull it with excessive force to avoid damaging it.
- Do not wet or immerse the product. Always keep the product in a dry place away from moisture.
- When not in use, store the product in a clean, dry place away from moisture and dirt.
- If water enters the product, immediately disconnect it from any power source or device to which it is connected.
- Avoid bumps and drops that could damage the product.
- Do not use the product for any purpose other than that for which it was designed.
- Recycle the product in accordance with local environmental rules and regulations.

7. Safety information

Please read the following instructions before using the device for the first time:

- When you use device keep it away from heat sources (fire) and from humidity sources (water and other liquids).
- If the product is wet or damaged do not use it.
- Do not use the product with wet hands.
- Do not leave the product in contact with flammable materials.
- Do not expose the product to high temperatures (for example: inside a car during hot weather).
- Do not throw the product into fire.
- Keep the product away from children.
- Disconnect or switch off the product if you are not going to use for a long period of time.
- Do not use the device if you perceive any visible defects.
- Do not attempt to open or puncture the product. You might damage it.
- Do not use the product with incompatible devices.
- Do not dismount or modify the product. These actions will invalidate the Warranty.

8. Legal Note

Hereby, Atlantis Internacional S.L. declares that this product is in compliance with the essential requirements and other relevant provisions of Directive 2014/53/EC. The features and functions described in this manual are based on tests made by Atlantis Internacional S.L. It is the user's responsibility to examine and verify the product after its purchase. Atlantis Internacional S.L. is not responsible and will never be liable for any personal loss or injury, economical loss, material loss or any damage due to misuse, abuse or improper installation of the product. Atlantis Internacional S.L. is not responsible and will never be liable for any function, communication and connection failure between the product and Bluetooth enabled devices.

9. Electronic and electrical devices disposal

This symbol indicates that electrical and electronic equipment is to be collected separately.



- This product is designated for separate collection at an appropriate collection point. Do not dispose of as household waste.
- The final price of this product includes the cost necessary for the correct environmental management of the generated waste.
- If the equipment uses batteries, they must be removed from the equipment and disposed in an appropriate collection center. If the batteries cannot be removed, do not attempt to do it yourself since it must be done by a qualified professional.
- Separate collection and recycling helps conserve natural resources and prevent negative consequences for human health and the environment that might result from incorrect disposal.
- For more information, contact the retailer or the local authorities in charge of waste management.

CORE SMARTWATCH

Manual de usuario

BXSW16N, BXSW16R

1. Características

1.1 Especificaciones técnicas

Pantalla: 1.43" AMOLED Multitouch 466 x 466

Batería: Polímero de litio 260 mAh

Frecuencia de voltaje: 5V/2A 50-60 Hz

Conectividad: Bluetooth 5.0

Compatibilidad: Android 4.4 / iOS 9.0 y versiones posteriores

Aplicación: CO-FIT

Material de la carcasa: ABS

Material de la pantalla: Cristal templado

Material de la correa: Correa de silicona y hebilla de acero inoxidable

Grado de protección: IP67 (sumergible 1 metro durante 30 minutos)

Dimensiones del reloj: 46 x 46 x 11 mm

Ancho de la correa: 22 mm

Diámetro del cierre de la muñeca: 14 a 19 cm

Peso: 21,5 g

Autonomía: 5 días en uso normal, 2 días en uso intensivo

Tiempo de carga: 2 horas

Micrófono y altavoz integrados

Funciones de salud: Monitor de deporte, podómetro, medidor de ritmo cardíaco, medidor de presión sanguínea, medidor de saturación de oxígeno en sangre, medidor de estrés, monitor de sueño, ciclo menstrual

Funciones: Haz y recibe llamadas, notificaciones, asistentes de voz, control de música, control remoto de la cámara, función antipérdida

Otras funciones: Alarma, calculadora, calendario, cronómetro, temporizador, información sobre la bolsa, tiempo, ejercicios de respiración, recordatorio de sedentarismo, etc.

Idiomas: Inglés, español, francés, alemán, italiano, portugués, ruso, holandés, chino, japonés, coreano, árabe, griego, finlandés, croata, turco, rumano, danés, ucraniano, urdu, hebreo, etc.

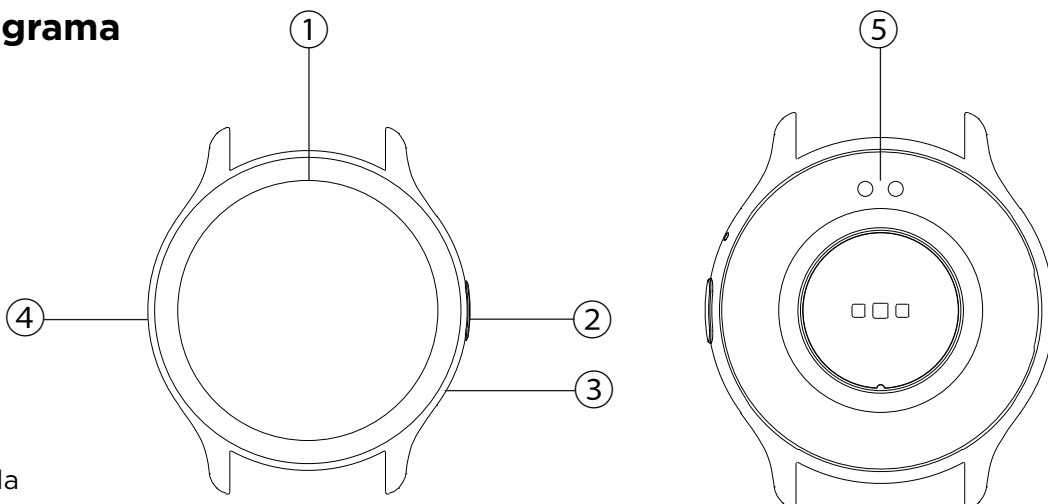
1.2 En la caja

1 x Smartwatch

1 x USB-A cable with magnetic charging port (60 cm)

1 x Manual

1.3 Diagrama



① Pantalla

② Botón

③ Micrófono

④ Altavoz

⑤ Pines de carga magnéticos

1.4 Cómo colocar y retirar la correa

Aunque solo se incluye una correa en la caja, se puede colocar y quitar con facilidad. La parte más corta debe colocarse en la ranura superior de la pantalla, mientras que la parte larga debe colocarse en la ranura inferior de la pantalla. De lo contrario, el sistema de inserción podría sufrir daños irreparablemente.

1. Para retirar una correa: Sujeta la correa y desliza con cuidado la pieza metálica fuera de su agujero.
2. Para colocar una correa: Sujeta la correa e inserta la pieza metálica en un extremo. A continuación, desliza la pieza metálica en el otro extremo e introduce el extremo de la correa de forma que, al dejar ir la pieza metálica, se encaje en el agujero de la carcasa.

1.5 Carga

El tiempo de carga completa del smartwatch Core es de aproximadamente 2 horas y la batería puede durar hasta 5 días dependiendo del uso.

Utiliza el cable USB-A de 60 cm con puerto de carga magnético que viene incluido en la caja para cargar el smartwatch. Conecta el conector USB-A a un cargador, salida de ordenador o powerbank y coloca el puerto magnético de forma que se adhiera a las 2 clavijas doradas que se encuentran en el dorso de la carcasa del reloj.

1.6 Encendido y apagado

Para encender el smartwatch presiona el botón durante 3 segundos.

Para apagar el smartwatch, presiona el botón durante 2 segundos; 3 opciones aparecerán: apagar, restablecer de fábrica y reiniciar. Pulsa en apagar o cualquiera de las otras opciones.

También puedes apagarlo a través del icono de apagado en el menú principal.

1.7 Acerca del grado de protección IP

El smartwatch Core tiene un índice de protección IP67. Esto significa que puede soportar ser sumergido bajo el agua 1 metro durante un máximo de 30 minutos.

Nota: En caso de nadar en el mar o en una piscina de agua salada, se recomienda enjuagar el reloj con agua dulce después de la inmersión debido al efecto corrosivo del agua salada.

2. Configuración inicial

2.1 Descarga de la aplicación

La aplicación compatible con el smartwatch Core se llama Co-Fit. Hay varias maneras de descargarla:

- Pulsa aquí para descargar la aplicación Co-Fit desde Google Play o la App Store.



- También puedes descargar la aplicación directamente escribiendo "Co-Fit" en el buscador de Google Play o App Store.

- Otra manera de descargar la aplicación es a través de un código QR. Este código QR aparecerá cuando enciendas el smartwatch. También puedes acceder al código QR deslizando hacia abajo la pantalla principal y pulsando en el código QR.

2.2 Registro en la aplicación

Registrarse en la aplicación es muy sencillo.

1. Cuando accedas a la aplicación acepta las permisiones y escoge tu región.
A continuación, verás lo siguiente:



2. Recomendamos acceder a la aplicación mediante la opción de Google. Una vez hecho, escoge tu dirección correo electrónico de Gmail o Hotmail e iniciarás sesión al momento. Una vez dentro, verás esta pantalla:



3. Introduce tu correo electrónico y pulsa en la opción de enviar código de verificación. Una vez hecho, aparecerá esta pantalla:



4. Introduce el código de verificación que recibirás en la bandeja de entrada de tu correo electrónico. Una vez hecho, ya estará todo listo. Asegúrate de aceptar todos los permisos que solicita la aplicación para garantizar un rendimiento y un uso de las funciones óptimos.

2.3 Emparejamiento de dispositivos iOS / Android

1. Activa el Bluetooth de tu smartphone.

2. Inicia sesión en la aplicación Co-Fit y accede a la sección de perfil (tercera opción en la parte inferior de tu pantalla).

3. Pulsa sobre la opción de dispositivos. Una vez hecho, verás los dispositivos que estén listos para ser vinculados. Pulsa sobre el dispositivo con el nombre KSIX CORE.



4. Una vez que hayas pulsado sobre el dispositivo con el nombre KSIX CORE se iniciará el proceso de emparejamiento. Cuando lo hagas, acerca el reloj a tu smartphone.



5. Como se ha mencionado anteriormente, asegúrate de aceptar todos los permisos que solicita la aplicación. Asegúrate también de que se vincula correctamente a través del Bluetooth. Si no lo hace, accede a los ajustes del Bluetooth de tu smartphone y selecciona

2.4 Solución de problemas

- Si la aplicación no encuentra el dispositivo, apaga el smartwatch y vuelve a encenderlo.
- Si el dispositivo se conecta y se desconecta rápidamente, es posible que haya una obstrucción entre el dispositivo y el teléfono. Llevar joyas metálicas puede interferir en la estabilidad de la conexión
- Si el dispositivo no se carga, puede deberse a que el puerto de carga esté sucio u oxidado.

3. Uso y funciones

Es muy importante aceptar todos los permisos solicitados por la aplicación en todo momento para que el smartwatch funcione de manera óptima. También activa todas las características que quieras desde la opción dispositivo dentro de la sección perfil en la aplicación Co-Fit.

3.1 Cómo navegar por el smartwatch

El método de uso del smartwatch Core es muy sencillo e intuitivo:

• Deslizando la pantalla

Desliza el dedo hacia la derecha o hacia la izquierda desde la pantalla principal para entrar al menú de acceso rápido. Para elegir las funciones que quieres mostrar, desliza el dedo hacia la izquierda o hacia a la derecha desde la pantalla de inicio y pulsa el icono de "+". Una vez dentro, verás opciones como el medidor cardíaco, control de música, monitorización del sueño, tiempo, entre muchas otras. Pulsa el icono verde "+" junto a cada función para añadirlas al menú de acceso rápido. Cuando vuelvas a deslizar el dedo hacia la derecha desde la pantalla principal, verás que aparecen las opciones que has seleccionado. Los menús de acceso rápido de izquierdo y derecho no son independientes, lo que significa que, tanto si deslizas el dedo hacia la derecha como hacia la izquierda, se mostrarán las mismas funciones, pero en orden inverso.

Desliza el dedo hacia abajo desde la pantalla principal para acceder al menú de opciones. Aquí encontrarás diferentes funciones, como el modo no molestar, ajustes, alarma, el brillo de la pantalla, entre otras. Para acceder a cualquiera de estas opciones, pulsa sobre el icono

correspondiente.

Desliza el dedo hacia arriba para ver las notificaciones de aplicaciones, llamadas perdidas, mensajes de texto y otras notificaciones.

- **Con el botón**

Press the smartwatch button to access the main menu. Here you will be able to access all the smartwatch's features by tapping on the corresponding icon.

3.2 Cambiar la esfera del reloj

Existen 2 opciones a la hora de cambiar la esfera del reloj del Core:

- La primera opción es desde dentro del smartwatch. En la pantalla de inicio, sólo tienes que pulsar sobre la pantalla durante 2 segundos y verás varias pantallas de esfera. Pulse sobre la que más le guste para convertirla en la esfera de su pantalla de inicio.
- La segunda opción es desde la aplicación Co-Fit. En la sección de dispositivos, pulsa sobre la opción tema. Aparecerá una gran variedad de temas; descarga el que más te guste y se añadirá a la lista de pantallas de tu reloj inteligente. Desde la misma sección de la aplicación, también podrás acceder a una herramienta de personalización de la esfera del reloj. Aquí, podrás elegir el fondo de pantalla del reloj, una esfera digital o analógica y también añadir datos de deporte/salud. También podrás utilizar una imagen de la galería de tu smartphone como fondo de pantalla.

3.3 Llamadas

Es muy importante tener activada la función de llamadas entrantes para poder recibirlas. Las llamadas aparecerán en la pantalla a tiempo real y el reloj vibrará.

Las llamadas pueden aceptarse pulsando el icono verde y rechazarse pulsando el icono rojo. El smartwatch Core dispone de un altavoz para que puedas atender las llamadas entrantes sin necesidad de tu smartphone.

Si se acepta la llamada, se puede finalizar pulsando el icono rojo. Para rechazar las llamadas, pulsa el icono rojo antes de contestarla. Aparecerá una notificación de llamada perdida en la pantalla del smartwatch.

En caso de que la función de llamada entrante no esté activada, el smartwatch solo mostrará las notificaciones de llamada entrante, pero no emitirá señales en tiempo real ni vibrará.

- **Hacer llamadas**

Hay tres opciones a la hora de realizar llamadas:

- Llamar a un contacto: Elige hasta 20 contactos desde la opción de sincronización de contactos, dentro de la sección de dispositivo de la app Co-Fit. Una vez hecho esto, accede al menú principal del smartwatch y pulsa en el icono azul que muestra una persona. Aquí verás los contactos que has elegido previamente a través de Co-Fit. Pulsa sobre el contacto deseado para realizar la llamada.
- Dial: Accede al menú principal del smartwatch y pulsa en el icono verde de un dial. Una vez dentro, podrás marcar el número de teléfono al que quieras llamar. Una vez marcado, pulsa sobre el icono verde de un teléfono para hacer la llamada.
- Menú de llamadas: Accede al menú principal del smartwatch y pulsa en el icono azul que muestra un teléfono. Una vez dentro, verás 3 opciones. La primera opción te permitirá llamar a un contacto. La segunda opción te permitirá ver un registro de llamadas; pulsa sobre la opción deseada para hacer una llamada. La tercera opción te permitirá marcar un número de teléfono. También puedes añadir esta función al menú de acceso rápido.

3.4 Notificaciones

El smartwatch muestra las notificaciones de tu smartphone. Esto incluye apps como: WhatsApp, Gmail, Instagram, Twitter, LinkedIn, entre muchas otras.

Para acceder a las notificaciones recibidas, desliza la pantalla principal hacia arriba.

3.5 Asistentes de voz

El smartwatch Core es compatible con asistentes de voz. Para configurar correctamente los asistentes de voz, debes haber sincronizado correctamente el smartwatch con tu smartphone a través de la app Co-Fit y haber habilitado todos los accesos.

Para acceder a esta función, accede al menú principal del smartwatch y toca sobre el icono morado que muestra ondas de sonido. Una vez dentro, pulsa sobre el icono del asistente de voz y realiza tu petición.

3.6 Control de música

El smartwatch dispone de una función de control de música. Accede al menú principal del smartwatch y pulsa sobre el icono de una nota musical. Una vez dentro, verás varias opciones:

- Reproducir/Pausar: Pulsa en el icono para pausar o reproducir la música que estás escuchando.
- Canción anterior/Canción siguiente: Pulsa en el icono anterior o siguiente para reproducir la canción anterior o la siguiente.
- Cambiar dispositivo: Pulsa en el icono del dispositivo en la parte inferior izquierda para cambiar el dispositivo que está reproduciendo la música. Puedes cambiar entre tu smartphone y el smartwatch.

Puedes añadir esta función al menú de acceso rápido.

3.7 Control remoto de la cámara

El smartwatch Core te permite hacer fotos desde tu smartphone de manera remota. Accede al menú principal del smartwatch y pulsa en el icono de la cámara. Una vez dentro, pulsa sobre la cámara para hacer una foto desde tu smartphone.

Para que esta función funcione, primero debes acceder a la aplicación Co-Fit y dejarla abierta.

3.8 Función antipérdida

El smartwatch cuenta con una función antipérdida. Asegúrate de que has activado esta opción en la aplicación Co-Fit. Esta función hará que tu teléfono suene para que puedas encontrarlo.

Para hacer uso de esta función, accede al menú principal del smartwatch y pulsa en el icono azul de un smartphone. Una vez dentro, pulsa sobre el icono de reproducción para hacer sonar tu teléfono.

3.9 Otras funciones

El smartwatch Core cuenta con una amplia variedad de otras funciones, como: alarma, calculadora, calendario, cronómetro, temporizador, información del mercado de valores, tiempo, ejercicios de respiración, recordatorio de sedentarismo, entre otras.

4. Salud

4.1 Deportes

El smartwatch Core te permite monitorizar una gran variedad de deportes. Accede al menú principal del smartwatch y pulsa en el icono naranja de un corredor. Una vez dentro, podrás ver una gran variedad de deportes, tales como: running, escalada, ciclismo, fútbol, baloncesto, yoga, entre otros.

Pulsa en el deporte deseado para iniciar la monitorización. Una vez hecho esto, se mostrarán

los datos del deporte en tiempo real, tales como: ritmo cardíaco, pasos dados, calorías quemadas y tiempo dedicado. Estos datos pueden variar en función del deporte realizado.

También puedes acceder a la monitorización de carrera (icono verde de un corredor) y ciclismo (icono lila de un ciclista) directamente desde el menú principal del smartwatch. También podrás empezar a monitorizar tus deportes desde la app Co-Fit, en la sección de deportes.

4.2 Podómetro, calorías y distancia recorrida

El smartwatch registra automáticamente los pasos dados, las calorías quemadas y la distancia recorrida. Para ver esta información, accede al menú principal del smartwatch y pulsa sobre el icono de líneas azules, verdes y rojas.

Estos datos también aparecerán en la sección de estado de la aplicación Co-Fit. También puedes añadir esta función al menú de acceso rápido.

4.3 Medidor de ritmo cardíaco

El smartwatch Core monitoriza tu ritmo cardíaco de manera automática. Activa esta función desde la sección de dispositivos de la aplicación Co-Fit y elige el intervalo de monitorización (cada 30 minutos, cada hora, etc.).

También podrás medir tu ritmo cardíaco de manera inmediata. Para hacer uso de esta herramienta, accede al menú principal del smartwatch y pulsa sobre el icono rojo de un corazón. Al cabo de unos segundos, se mostrará el número de pulsaciones por minuto.

Estos datos se mostrarán en la sección de estado de Co-Fit. También puedes añadir esta función al menú de acceso rápido.

4.4 Medidor de presión sanguínea

El smartwatch te permite medir tu presión sanguínea al instante. Para ello, accede al menú principal del smartwatch y pulsa sobre el icono del estetoscopio.

Una vez dentro, pulsa en el icono de reproducción y quédate quieto. Al cabo de unos segundos, se mostrarán los datos de tu presión sanguínea.

Estos datos se mostrarán en la sección de estado de Co-Fit.

4.5 Medidor de saturación de oxígeno en sangre

El smartwatch Core te permite medir tus niveles de saturación de oxígeno en sangre al instante. Para hacer uso de esta herramienta, accede al menú principal del smartwatch y pulsa en el icono rojo de sangre.

Una vez dentro, quédate quieto y, tras unos segundos, se mostrarán los valores de saturación de oxígeno en sangre.

Estos datos se mostrarán en la sección de estado de Co-Fit. También puedes añadir esta función al menú de acceso rápido.

4.6 Medidor de estrés

El smartwatch dispone de un medidor de estrés. Para hacer uso de esta herramienta, accede al menú principal del smartwatch y pulsa en el icono azul de una persona y un corazón.

Una vez dentro, quédate quieto y, al cabo de un minuto, se mostrarán tus datos de estrés.

Estos datos se mostrarán en la sección de estado de Co-Fit. También puedes añadir esta función al menú de acceso rápido.

4.7 Monitor de sueño

El smartwatch Core funciona mientras duermes y proporciona estadísticas sobre el tiempo y la calidad de tu sueño. La información disponible de esta herramienta es más detallada en la aplicación Co-Fit que en el smartwatch.

- En el smartwatch: Para consultar el tiempo que has dormido, accede al menú principal y

pulsa en el icono lila de la luna. Una vez dentro, se mostrará el tiempo que has dormido, así como el tiempo que has estado en sueño profundo, ligero y despierto.

- En la aplicación: Tus datos de sueño también se mostrarán en la sección de estado de la aplicación Co-Fit. Aquí podrás ver el tiempo que has dormido, así como el tiempo que has estado en sueño profundo, sueño ligero y despierto. También podrás ver un registro de sueño semanal y mensual con todos tus datos de sueño.

También puedes añadir esta función al menú de acceso rápido.

4.8 Ciclo menstrual

La aplicación Co-Fit te permite establecer recordatorios relacionados con tu ciclo menstrual. Entra en la sección de dispositivos de la aplicación Co-Fit y pulsa en la opción de control de salud. Una vez dentro, podrás establecer algunos datos que se mostrarán en el menú de acceso rápido del smartwatch. Datos como la duración de tu regla, la duración del ciclo, la última menstruación, así como recordatorios de regla y ovulación.

Podrás ver todas las notificaciones de tu ciclo menstrual en el menú de acceso rápido del smartwatch y estar al día de los datos de tu regla.

5. Cláusula de exención

1. The Core smartwatch heart rate and blood pressure data should not be used as the basis for any medical or diagnostic decision.
2. Only qualified medical personnel can diagnose and treat cardiovascular disease and high blood pressure problems. Contact your medical center for a medical opinion, and do not treat or diagnose yourself.
3. The Core smartwatch heart rate and blood pressure data may not be accurate due to factors such as signal interference, improper placement of the device, or weather or physiological changes.
4. Do not use the Core smartwatch data to modify your medication or medical treatment. Follow the instructions provided by authorized medical personnel.
5. We take no responsibility for the inaccuracy of the above, nor do we assume any liability for the consequences of the use of such information.

6. Maintenance recommendations

- Clean the product regularly with a dry cloth. The product must be unplugged or unplugged or switched off when cleaning.
- Keep the product's ports and connectors clean from dust, dirt, etc., to ensure proper connection.
- Avoid breaking the product. Do not place objects on it or bend it with excessive force.
- If the product has a cable, do not bend or pull it with excessive force to avoid damaging it.
- Do not wet or immerse the product. Always keep the product in a dry place away from moisture.
- When not in use, store the product in a clean, dry place away from moisture and dirt.
- If water enters the product, immediately disconnect it from any power source or device to which it is connected.
- Avoid bumps and drops that could damage the product.
- Do not use the product for any purpose other than that for which it was designed.
- Recycle the product in accordance with local environmental rules and regulations.

7. Safety information

Please read the following instructions before using the device for the first time:

- When you use device keep it away from heat sources (fire) and from humidity sources (water and other liquids).
- If the product is wet or damaged do not use it.
- Do not use the product with wet hands.
- Do not leave the product in contact with flammable materials.
- Do not expose the product to high temperatures (for example: inside a car during hot weather).
- Do not throw the product into fire.
- Keep the product away from children.
- Disconnect or switch off the product if you are not going to use for a long period of time.
- Do not use the device if you perceive any visible defects.
- Do not attempt to open or puncture the product. You might damage it.
- Do not use the product with incompatible devices.
- Do not dismount or modify the product. These actions will invalidate the Warranty.

8. Legal Note

Hereby, Atlantis Internacional S.L. declares that this product is in compliance with the essential requirements and other relevant provisions of Directive 2014/53/EC. The features and functions described in this manual are based on tests made by Atlantis Internacional S.L. It is the user's responsibility to examine and verify the product after its purchase. Atlantis Internacional S.L. is not responsible and will never be liable for any personal loss or injury, economical loss, material loss or any damage due to misuse, abuse or improper installation of the product. Atlantis Internacional S.L. is not responsible and will never be liable for any function, communication and connection failure between the product and Bluetooth enabled devices.

9. Electronic and electrical devices disposal

This symbol indicates that electrical and electronic equipment is to be collected separately.



- This product is designated for separate collection at an appropriate collection point. Do not dispose of as household waste.
- The final price of this product includes the cost necessary for the correct environmental management of the generated waste.
- If the equipment uses batteries, they must be removed from the equipment and disposed in an appropriate collection center. If the batteries cannot be removed, do not attempt to do it yourself since it must be done by a qualified professional.
- Separate collection and recycling helps conserve natural resources and prevent negative consequences for human health and the environment that might result from incorrect disposal.
- For more information, contact the retailer or the local authorities in charge of waste management.

CORE SMARTWATCH

Manuel de l'utilisateur

BXSW16N, BXSW16R

1. Caractéristiques

1.1 Spécifications techniques

Écran : 1.43" AMOLED Multitouch 466 x 466

Batterie : Lithium polymère 260 mAh

Fréquence de la tension : 5V/2A 50-60 Hz

Connectivité : Bluetooth 5.0

Compatibilité : Android 4.4 / iOS 9.0 et versions ultérieures

Application : CO-FIT

Matériel du boîtier : ABS

Matériel de l'écran : Verre tempéré

Matériel du bracelet : Bracelet en silicone et boucle en acier inoxydable

Indice de protection : IP67 (submersible à 1 mètre pendant 30 minutes)

Dimensions de la montre : 46 x 46 x 11 mm

Largeur du bracelet : 22 mm

Diamètre de la fermeture du poignet : 14 à 19 cm

Poids : 21,5 g

Autonomie : 5 jours en utilisation normale, 2 jours en utilisation intensive

Temps de chargement: 2 heures

Microphone et haut-parleur intégrés

Fonctions de santé: Moniteur de sport, podomètre, mesure de la fréquence cardiaque, mesure de la tension artérielle, mesure de la saturation en oxygène du sang, mesure du stress, moniteur du sommeil, cycle menstruel

Fonctions: Effectuer et recevoir des appels, notifications, assistants vocaux, contrôle de la musique, télécommande de la caméra, fonction anti-perte

Autres fonctions: Alarme, calculatrice, calendrier, chronomètre, minuterie, information sur la bourse, météo, exercices de respiration, rappel sédentaire, etc.

Langues : Anglais, espagnol, français, allemand, italien, portugais, russe, néerlandais, chinois, japonais, coréen, arabe, grec, finnois, croate, turc, roumain, danois, ukrainien, ourdou, hébreu, etc.

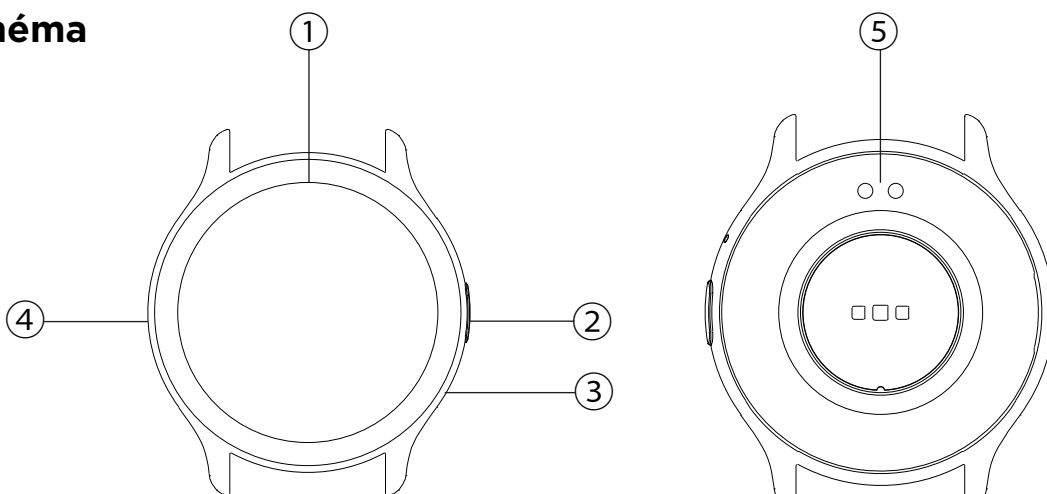
1.2 Dans l'emballage

1 x Smartwatch

1 x Câble USB-A avec port de charge magnétique (60 cm)

1 x Manuel

1.3 Schéma



① Écran

② Bouton

③ Microphone

④ Haut-parleur

⑤ Broches de chargement magnétiques

1.4 Fixation et retrait du bracelet

Bien qu'un seul bracelet soit inclus dans la boîte, la fixation et l'enlèvement sont faciles. La partie la plus courte doit être placée dans la fente supérieure de l'écran, tandis que la partie la plus longue doit être placée dans la fente inférieure de l'écran. Autrement, le système d'insertion pourrait être irrémédiablement endommagé.

1. Pour retirer un bracelet: Tenez le bracelet et faites glisser avec précaution la partie métallique hors de son trou.
2. Pour attacher un bracelet : Tenez le bracelet et insérez la pièce métallique à l'une de ses extrémités. Glissez ensuite la pièce métallique dans l'autre extrémité et insérez l'extrémité de la courroie de manière à ce que, lorsque vous relâchez la pièce métallique, elle s'enclenche dans le trou du boîtier.

1.5 Chargement

La smartwatch Core prend environ 2 heures pour se charger complètement et la batterie peut durer jusqu'à 5 jours en fonction de l'utilisation.

Utilisez le câble USB-A de 60 cm avec port de charge magnétique inclus dans l'emballage pour charger la smartwatch. Branchez le connecteur USB-A sur un chargeur, une prise d'ordinateur ou une banque d'alimentation et positionnez le port magnétique de manière à ce qu'il s'attache aux deux broches dorées situées à l'arrière du boîtier de la montre.

1.6 Mise en marche et arrêt

Pour allumer la smartwatch, appuyez sur le bouton pendant 3 secondes.

Pour éteindre la smartwatch, appuyez sur le bouton pendant 2 secondes ; 3 options s'affichent : extinction, restauration des paramètres de fabrication et réinitialisation. Appuyez sur le bouton d'arrêt ou sur l'une des autres options.

Vous pouvez également l'éteindre via l'icône "Power Off" dans le menu principal.

1.7 À propos de l'indice de protection IP

La smartwatch Core a un indice de protection IP67. Cela signifie qu'elle peut résister à une immersion sous 1 mètre d'eau pendant 30 minutes.

Remarque : En cas de baignade en mer ou dans une piscine d'eau salée, il est recommandé de rincer la montre à l'eau douce après l'immersion en raison de l'effet corrosif de l'eau salée.

2. Configuration initiale

2.1 Téléchargement de l'application

La aplicación compatible con el smartwatch Core se llama Co-Fit. Hay varias maneras de descargarla:

- Cliquez ici pour télécharger l'application Co-Fit à partir de Google Play ou de l'App Store.



- Vous pouvez également télécharger l'application directement en tapant "Co-Fit" dans le moteur de recherche Google Play ou App Store.

- Un autre moyen de télécharger l'application consiste à utiliser un code QR. Ce code QR apparaît lorsque vous allumez votre smartwatch. Vous pouvez également accéder au code QR en balayant l'écran d'accueil vers le bas et en tapant sur le code QR.

2.2 S'inscrire à l'application

L'inscription à l'application est très simple.

1. Lorsque vous accédez à l'application, acceptez les autorisations et choisissez votre région. Vous verrez alors ce qui suit :



2. Nous vous recommandons d'accéder à l'application via l'option Google. Choisissez votre adresse e-mail Gmail ou Hotmail et vous serez immédiatement connecté. Une fois connecté, vous verrez cet écran :



3. Saisissez votre adresse électronique et cliquez sur l'option d'envoi du code de vérification. Une fois cette opération effectuée, l'écran suivant s'affiche :



4. Saisissez le code de vérification que vous recevrez dans votre e-mail. Une fois que vous l'avez fait, vous êtes prêt. Veillez à accepter toutes les autorisations demandées par l'application afin de garantir des performances et une utilisation optimale des fonctionnalités.

2.3 Appairage des appareils iOS / Android

1. Activez le Bluetooth sur votre smartphone.

2. Connectez-vous à l'application Co-Fit et accédez à la section profil (troisième option en bas de votre écran).

3. Tapez sur l'option des appareils. Une fois cela fait, vous verrez les appareils qui sont prêts à être appariés. Cliquez sur l'appareil portant le nom KSIX CORE.



4. Une fois que vous avez tapé sur l'appareil portant le nom KSIX CORE, le processus d'appairage démarre. Une fois cette opération terminée, approchez la montre à votre smartphone.



5. Comme indiqué ci-dessus, assurez-vous d'accepter toutes les autorisations demandées par l'application. Assurez-vous également que l'application s'associe correctement via Bluetooth. Si ce n'est pas le cas, accédez aux paramètres Bluetooth de votre smartphone et

2.4 Résolution des problèmes

- Si l'application ne trouve pas l'appareil, éteignez la smartwatch et rallumez-la.
- Si l'appareil se connecte et se déconnecte rapidement, il se peut qu'il y ait un obstacle entre l'appareil et le téléphone. Le port de bijoux métalliques peut nuire à la stabilité de la connexion.
- Si l'appareil ne se charge pas, cela peut être dû à un port de charge sale ou rouillé.

3. Utilisation et fonctions

Il est très important d'accepter toutes les autorisations demandées par l'application à tout moment pour que la smartwatch fonctionne de manière optimale. Activez également toutes les fonctions que vous souhaitez à partir de l'option appareil dans la section profil de l'application Co-Fit.

3.1 Navigation dans la smartwatch

La smartwatch Core est très simple et intuitive à utiliser:

• Balayer l'écran

Balayez l'écran principal vers la droite ou la gauche pour accéder au menu d'accès rapide. Pour choisir les fonctions que vous souhaitez afficher, balayez l'écran d'accueil vers la gauche ou la droite et appuyez sur l'icône "+". Une fois à l'intérieur, vous verrez des options telles que le moniteur de fréquence cardiaque, le contrôle de la musique, le contrôle du sommeil, la météo, parmi beaucoup d'autres. Appuyez sur l'icône verte "+" à côté de chaque fonction pour l'ajouter au menu d'accès rapide. Lorsque vous glissez à nouveau vers la droite depuis l'écran principal, vous verrez apparaître les options que vous avez sélectionnées. Les menus d'accès rapide de gauche et de droite ne sont pas indépendants, ce qui signifie que les mêmes fonctions s'afficheront, mais dans l'ordre inverse, que vous balayiez vers la gauche ou vers la droite.

Balayez vers le bas à partir de l'écran principal pour accéder au menu des options. Vous y trouverez différentes fonctions, telles que le mode "ne pas déranger", les paramètres,

l'alarme, la luminosité de l'écran, entre autres. Pour accéder à l'une de ces options, appuyez sur l'icône correspondante.

Balayez vers le haut pour voir les notifications d'applications, d'appels manqués, de messages texte et autres.

• **Via le bouton**

Appuyez sur le bouton de la smartwatch pour accéder au menu principal. Vous pouvez accéder à toutes les fonctions de la smartwatch en appuyant sur l'icône correspondante.

3.2 Changer le cadran de l'horloge

Il existe deux options pour changer le cadran de la montre Core :

- La première option se trouve à l'intérieur de la smartwatch. Sur l'écran d'accueil, appuyez sur l'écran pendant 2 secondes et vous verrez plusieurs écrans de cadran. Tapez sur celui qui vous plaît le plus pour en faire le visage de votre écran d'accueil.
- La deuxième option se trouve dans l'application Co-Fit. Dans la section "Appareils", appuyez sur l'option "Thème". Plusieurs thèmes s'affichent ; téléchargez celui que vous préférez et il sera ajouté à la liste des écrans de votre smartwatch. Dans la même section de l'application, vous pouvez également accéder à un outil de personnalisation du cadran de la montre. Vous pouvez y choisir le fond d'écran de la montre, un cadran numérique ou analogique et ajouter des données sur le sport ou la santé. Vous pouvez également utiliser une image de la galerie de votre smartphone comme fond d'écran.

3.3 Appels

• **Recevoir, répondre et rejeter des appels**

Il est très important que la fonction d'appel entrant soit activée pour pouvoir recevoir des appels. Les appels s'affichent en temps réel sur l'écran et la montre vibre.

Les appels peuvent être acceptés en appuyant sur l'icône verte et rejetés en appuyant sur l'icône rouge. La smartwatch Core est équipée d'un haut-parleur qui vous permet de prendre les appels entrants sans avoir besoin de votre smartphone.

Si l'appel est accepté, vous pouvez y mettre fin en appuyant sur l'icône rouge. Pour rejeter les appels, appuyez sur l'icône rouge avant de répondre à l'appel. Une notification d'appel manqué s'affiche sur l'écran de la smartwatch.

Si la fonction d'appel entrant n'est pas activée, la smartwatch affichera uniquement les notifications d'appel entrant, mais n'émettra pas de signaux en temps réel et ne vibrera pas.

• **Passer des appels**

Il existe trois options pour passer des appels:

- Appeler un contact : choisissez jusqu'à 20 contacts dans l'option de synchronisation des contacts dans la section appareil de l'application Co-Fit. Une fois que vous avez fait cela, allez dans le menu principal de la smartwatch et cliquez sur l'icône bleue représentant une personne. Vous y verrez les contacts que vous avez précédemment sélectionnés via Co-Fit. Cliquez sur le contact souhaité pour passer l'appel.
- Composer : Accédez au menu principal de la smartwatch et cliquez sur l'icône verte de composition. Une fois à l'intérieur, vous pouvez composer le numéro de téléphone que vous souhaitez appeler. Une fois le numéro composé, appuyez sur l'icône verte du téléphone pour passer l'appel.
- Menu d'appel : accédez au menu principal de la smartwatch et appuyez sur l'icône bleue du téléphone. Une fois à l'intérieur, vous verrez 3 options. La première option vous permet d'appeler un contact. La deuxième option vous permet d'afficher un journal d'appels ; appuyez sur l'option souhaitée pour passer un appel. La troisième option vous permet de composer un numéro de téléphone. Vous pouvez également ajouter cette fonction au menu d'accès rapide.

3.4 Notifications

La smartwatch affiche les notifications de votre smartphone. Il s'agit d'applications telles que : WhatsApp, Gmail, Instagram, Twitter, LinkedIn, parmi beaucoup d'autres.

Pour accéder aux notifications entrantes, balayez l'écran principal vers le haut.

3.5 Voice assistants

The Core smartwatch is compatible with voice assistants. To correctly configure the voice assistants, you must have successfully synchronized the smartwatch to your smartphone via Co-Fit app and enabled all accesses.

To access this function, enter the smartwatch main menu and tap on the purple icon showing sound waves. Once inside, tap on the voice assistant icon and make your request.

3.6 Contrôle de la musique

La smartwatch dispose d'une fonction de contrôle de la musique. Allez dans le menu principal de la smartwatch et cliquez sur l'icône de la note de musique. Une fois à l'intérieur, vous verrez plusieurs options :

- Play/Pause : Tapez sur l'icône pour mettre en pause ou jouer la musique que vous écoutez.
- Chanson précédente/chanson suivante : Appuyez sur l'icône précédent ou suivant pour lire la chanson précédente ou suivante.
- Changer d'appareil : appuyez sur l'icône de l'appareil en bas à gauche pour changer l'appareil qui lit la musique. Vous pouvez alterner entre votre smartphone et votre smartwatch.

Vous pouvez ajouter cette fonction au menu d'accès rapide.

3.7 Télécommande de la caméra

La smartwatch Core vous permet de prendre des photos à distance à partir de votre smartphone. Allez dans le menu principal de la smartwatch et cliquez sur l'icône de l'appareil photo. Une fois à l'intérieur, tapez sur l'appareil photo pour prendre une photo à partir de votre smartphone.

Pour que cette fonction fonctionne, vous devez d'abord accéder à l'application Co-Fit et la laisser ouverte.

3.8 Fonction anti-perte

La smartwatch dispose d'une fonction anti-perte. Assurez-vous d'avoir activé cette option dans l'application Co-Fit. Cette fonction fera sonner votre téléphone pour que vous puissiez le retrouver.

Pour utiliser cette fonction, accédez au menu principal de la smartwatch et cliquez sur l'icône bleue du smartphone. Une fois à l'intérieur, tapez sur l'icône de lecture pour faire sonner votre téléphone.

3.9 Autres fonctions

La smartwatch Core dispose d'une grande variété d'autres fonctions, telles que : alarme, calculatrice, calendrier, chronomètre, minuterie, informations boursières, météo, exercices respiratoires, rappel sédentaire, entre autres.

4. Santé

4.1 Sports

La smartwatch Core vous permet de surveiller un large éventail de sports. Accédez au menu

principal de la smartwatch et cliquez sur l'icône orange du coureur. Une fois à l'intérieur, vous verrez une variété de sports, tels que : la course, l'escalade, le cyclisme, le football, le basket-ball, le yoga, entre autres.

Cliquez sur le sport souhaité pour commencer le suivi. Les données sportives en temps réel s'affichent alors, telles que la fréquence cardiaque, les pas effectués, les calories brûlées et le temps passé. Ces données peuvent varier en fonction du sport pratiqué.

Vous pouvez également accéder au suivi de la course à pied (icône verte du coureur) et du cyclisme (icône violette du cycliste) directement à partir du menu principal de la smartwatch. Vous pouvez également commencer à suivre vos activités sportives à partir de l'application Co-Fit dans la section des sports.

4.2 Podomètre, calories et distance parcourue

Votre smartwatch enregistre automatiquement les pas effectués, les calories brûlées et la distance parcourue. Pour consulter ces informations, accédez au menu principal de la smartwatch et cliquez sur l'icône des lignes bleues, vertes et rouges.

Ces données apparaîtront également dans la section statut de l'application Co-Fit. Vous pouvez également ajouter cette fonction au menu d'accès rapide.

4.3 Mesure de la fréquence cardiaque

La smartwatch Core surveille automatiquement votre fréquence cardiaque. Activez cette fonction dans la section appareil de l'application Co-Fit et choisissez l'intervalle de surveillance (toutes les 30 minutes, toutes les heures, etc.).

Vous pourrez également mesurer votre fréquence cardiaque immédiatement. Pour utiliser cet outil, rendez-vous dans le menu principal de la smartwatch et cliquez sur l'icône du cœur rouge. Après quelques secondes, le nombre de battements par minute s'affiche.

Ces données seront affichées dans la section statut de Co-Fit. Vous pouvez également ajouter cette fonction au menu d'accès rapide.

4.4 Mesure de la tension artérielle

La smartwatch vous permet de mesurer instantanément votre tension artérielle. Pour ce faire, rendez-vous dans le menu principal de la smartwatch et cliquez sur l'icône du stéthoscope.

Une fois à l'intérieur, cliquez sur l'icône de lecture et restez immobile. Après quelques secondes, les données relatives à votre tension artérielle s'affichent.

Ces données seront affichées dans la section statut de Co-Fit.

4.5 Mesure de la saturation en oxygène du sang

La smartwatch Core vous permet de mesurer instantanément votre niveau de saturation en oxygène dans le sang. Pour utiliser cet outil, allez dans le menu principal de la smartwatch et cliquez sur l'icône du sang rouge.

Une fois à l'intérieur, restez immobile et, après quelques secondes, vos valeurs de saturation en oxygène du sang s'afficheront.

Ces données seront affichées dans la section statut de Co-Fit. Vous pouvez également ajouter cette fonction au menu d'accès rapide.

4.6 Mesure du stress

Votre smartwatch dispose d'un compteur de stress. Pour utiliser cet outil, allez dans le menu principal de la smartwatch et cliquez sur l'icône bleue représentant une personne et un cœur.

Une fois à l'intérieur, restez immobile et, après une minute, vos données de stress s'afficheront.

Ces données seront affichées dans la section statut de Co-Fit. Vous pouvez également ajouter cette fonction au menu d'accès rapide.

4.7 Moniteur du sommeil

La smartwatch Core fonctionne pendant que vous dormez et fournit des statistiques sur la durée et la qualité de votre sommeil. Les informations disponibles grâce à cet outil sont plus détaillées dans l'application Co-Fit que sur la smartwatch.

- Sur la smartwatch : pour savoir combien de temps vous avez dormi, allez dans le menu principal et cliquez sur l'icône de la lune lilas. Une fois à l'intérieur, vous verrez combien de temps vous avez dormi, ainsi que la durée de votre sommeil profond, léger et éveillé.
- Dans l'application : Vos données de sommeil seront également affichées dans la section statut de l'application Co-Fit. Vous pouvez y voir combien de temps vous avez dormi, ainsi que la durée de votre sommeil profond, léger et éveillé. Vous pourrez également consulter un journal de sommeil hebdomadaire et mensuel avec toutes vos données de sommeil.

Vous pouvez également ajouter cette fonction au menu d'accès rapide.

4.8 Cycle menstruel

L'application Co-Fit vous permet de programmer des rappels liés à votre cycle menstruel. Allez dans la section des appareils de l'application Co-Fit et cliquez sur l'option de suivi de la santé. Une fois à l'intérieur, vous pourrez définir certaines données qui seront affichées dans le menu d'accès rapide de la smartwatch. Des données telles que la durée de vos règles, la durée de votre cycle, vos dernières règles, ainsi que des rappels de règles et d'ovulation.

Vous pourrez voir toutes les notifications relatives à votre cycle menstruel dans le menu d'accès rapide de la smartwatch et vous tenir au courant des données relatives à vos règles.

5. Avis de non-responsabilité

1. Les données relatives à la fréquence cardiaque et à la pression artérielle de CORE ne doivent pas servir de base à des décisions médicales ou diagnostiques.
2. Seul un personnel médical qualifié peut diagnostiquer et traiter les maladies cardiovasculaires et les problèmes d'hypertension. Contactez votre centre médical pour obtenir un avis médical, et ne vous traitez pas ou ne vous diagnostiquez pas vous-même.
3. Les données relatives à la fréquence cardiaque et à la tension artérielle de CORE peuvent ne pas être exactes en raison de facteurs tels que l'interférence des signaux, le mauvais positionnement de l'appareil, les conditions météorologiques ou les changements physiologiques.
4. N'utilisez pas les données de CORE pour modifier votre médication ou votre traitement médical. Suivez les instructions fournies par le personnel médical autorisé.
5. Nous n'assumons aucune responsabilité pour l'inexactitude des informations ci-dessus, ni pour les conséquences de l'utilisation de ces informations.

6.Recommandations d'entretien

- Nettoyez régulièrement le produit à l'aide d'un chiffon sec. Veillez à ce que le produit soit éteint et/ou ne soit pas connecté lorsque vous le nettoyez.
- Veillez à garder les connecteurs et/ou les ports du produit propres, sans poussières ni saleté, pour un fonctionnement correct.
- Évitez d'endommager le produit en posant des objets lourds dessus.
- Si le produit inclus un câble, veillez à ne pas le plier trop fort et ne tirez pas sur le câble pour débrancher le produit.
- Rangez toujours votre produit dans un endroit sec, loin de toute humidité.
- Lorsque vous n'utilisez pas le produit, conservez-le dans un endroit propre et sec et à l'abri de la lumière directe du soleil.
- Si de l'eau pénètre à l'intérieur du produit, veillez à le déconnecter immédiatement de toute source d'alimentation et/ou débranchez tout périphérique connecté à celui-ci.
- Pour limiter au maximum le risque de détérioration de votre appareil, évitez de le heurter, de le secouer brusquement ou de le laisser tomber.

- N'utilisez pas le produit pour une autre utilisation que celle pour laquelle il a été conçu.
- Recycler le produit conformément aux normes et réglementations environnementales de votre pays.
- Do not use the product for any purpose other than that for which it was designed.
- Recycle the product in accordance with local environmental rules and regulations.

7. Informations de sécurité

Veillez lire les instructions de sécurité suivantes avant tout utilisation:

- Lors de son utilisation maintenez le produit éloigné de toute source de chaleur (feu) et d'humidité (eau et autres liquides).
- Ne mettez pas le produit en contact avec des matériaux inflammables.
- N'exposez pas le produit à des températures élevées, conservez-le à l'abri de la lumière directe du soleil.
- Ne jetez pas le produit dans le feu.
- Conservez le produit hors de portée des enfants.
- Débranchez de la source d'alimentation ou éteignez le produit si vous ne l'utilisez pas.
- N'utilisez pas le produit si vous détectez quelconque défaut ou endommagement visible.
- Veillez à ne pas ouvrir ou percer le produit, cela pourrait l'endommager.
- N'utilisez pas le produit avec des appareils ou objets incompatibles.
- Veillez à NE PAS effectuer de modifications non autorisées sur ce produit. Une telle opération annule la garantie.

8. Mentions légales

Atlantis Internacional, S.L., déclare que ce produit est conforme aux exigences essentielles et à tout autre règlement applicable ou réglementaire en vertu de la directive 2014/53/CE. Les fonctions et caractéristiques décrites dans ce manuel sont basées sur des tests effectués par Atlantis Internacional S.L. L'utilisateur est responsable de l'examen et de la vérification du produit lors de son achat. Atlantis Internacional S.L. ne saurait être tenu responsable des dommages personnels, matériels ou financiers, ainsi que des dommages à l'appareil résultant d'une utilisation non conforme, d'une utilisation abusive ou d'une installation incorrecte du produit. Atlantis Internacional S.L. ne sera pas tenu responsable des défaillances de fonctionnement, de communication ou de connexion entre le produit et le périphérique compatible Bluetooth.

9. Éléments électriques et électroniques endommagés

Ce symbole indique que les dispositifs électriques et électroniques doivent être éliminés séparément.



- Ce produit a été conçu pour être éliminé séparément dans un centre de collecte des déchets approprié. Ne le jetez pas avec les ordures ménagères.
- Si l'ensemble fonctionne avec des batteries, celles-ci doivent être retirées et éliminées dans un point de collecte pour ce type de déchets. Si les batteries ne sont pas conçues pour être retirées, n'essayez pas de les démonter car cela doit être effectué par un professionnel qualifié.
- Le fait de jeter et de recycler séparément permet de préserver les ressources naturelles et d'éviter des conséquences néfastes pour la santé humaine et l'environnement qui pourraient résulter d'une élimination non conforme.
- Le coût final de ce produit comprend le coût de la gestion environnementale nécessaire au traitement approprié des déchets générés.
- Pour en savoir plus, vous pouvez contacter le vendeur ou les autorités locales responsables de la gestion des déchets.

CORE SMARTWATCH

Benutzerhandbuch

BXSW16N, BXSW16R

1. Eigenschaften

1.1 Technische Spezifikationen

Bildschirm: 1,43" AMOLED Multitouch 466 x 466

Akku: Lithium-Polymer 260 mAh

Spannungsfrequenz: 5V/2A 50-60 Hz

Konnektivität: Bluetooth 5.0

Kompatibilität: Android 4.4 / iOS 9.0 und spätere Versionen

App: CO-FIT

Gehäusematerial: ABS

Bildschirm-Material: Gehärtetes Glas

Material des Armbandes: Silikonarmband und Dornschließe aus Edelstahl

Schutzart: IP67 (Untertauchbar 1 Meter für 30 Minuten)

Abmessungen der Uhr: 46 x 46 x 11 mm

Breite des Armbandes: 22 mm

Durchmesser des Handgelenkverschlusses: 14 bis 19 cm

Gewicht: 21,5 g

Laufzeit: 5 Tage bei normaler Nutzung, 2 Tage bei starker Nutzung

Ladezeit: 2 Stunden

Integriertes Mikrofon und Lautsprecher

Gesundheitsfunktionen: Sportmonitor, Schrittzähler, Herzfrequenzmesser, Blutdruckmesser,

Blutsauerstoffsättigungsmesser, Stressmesser, Schlafmonitor, Menstruationszyklus

Funktionen: Tätigen und Empfangen von Anrufen, Benachrichtigungen, Sprachassistenten,

Musiksteuerung, Fernsteuerung der Kamera, Anti-Verlust-Funktion

Weitere Funktionen: Alarm, Taschenrechner, Kalender, Stoppuhr, Timer,

Börseninformationen, Wetter, Atemübungen, Erinnerung ansitzende Tätigkeiten usw.

Sprachen: Englisch, Spanisch, Französisch, Deutsch, Italienisch, Portugiesisch, Russisch,

Niederländisch, Chinesisch, Japanisch, Koreanisch, Arabisch, Griechisch, Finnisch,

Kroatisch, Türkisch, Rumänisch, Dänisch, Ukrainisch, Urdu, Hebräisch, usw.

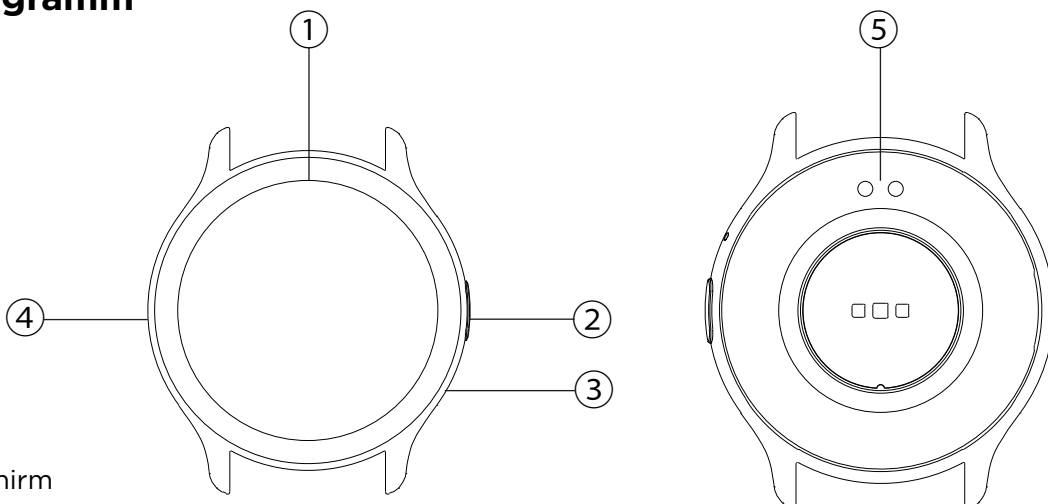
1.2 Inhalt

1 x Smartwatch

1 x USB-A-Kabel mit magnetischem Ladeanschluss (60 cm)

1 x Handbuch

1.3 Diagramm



① Bildschirm

② Taste

③ Mikrofon

④ Lautsprecher

⑤ Magnetische Ladepins

1.4 Anbringen und Entfernen der Bänder

Obwohl nur ein Gurt im Lieferumfang enthalten ist, lässt er sich leicht anbringen und entfernen. Der kürzere Gurt muss in den oberen Schlitz des Bildschirms eingelegt werden, während der längere Gurt in den unteren Schlitz des Bildschirms eingelegt werden muss. Andernfalls kann das Einschubsystem irreparabel beschädigt werden.

1. Entfernen einer Schlaufe: Halten Sie die Schlaufe fest und ziehen Sie das Metallteil vorsichtig aus der Öffnung.
2. Anbringen einer Schlaufe: Halten Sie die Schlaufe fest und führen Sie das Metallstück an einem Ende ein. Schieben Sie dann das Metallstück auf das andere Ende und führen Sie das Ende des Gurtes so ein, dass es in die Gehäuseöffnung passt, wenn Sie das Metallstück loslassen.

1.5 Aufladen

Die volle Ladezeit der Core Smartwatch beträgt etwa 2 Stunden, und der Akku hält je nach Nutzung bis zu 5 Tage.

Verwenden Sie das 60 cm lange USB-A-Kabel mit magnetischem Ladeanschluss, das im Lieferumfang enthalten ist, um die Smartwatch aufzuladen. Schließen Sie den USB-A-Stecker an ein Ladegerät, einen Computerausgang oder eine Powerbank an und platzieren Sie den magnetischen Anschluss so, dass er an den 2 goldenen Stiften auf der Rückseite der Uhr haftet.

1.6 Einschalten/Ausschalten

Um die Smartwatch einzuschalten, halten Sie die Taste 3 Sekunden lang gedrückt.

Um die Smartwatch auszuschalten, drücken Sie die Taste 2 Sekunden lang; es werden 3 Optionen angezeigt: Ausschalten, Zurücksetzen auf Werkseinstellungen und Neustart. Tippen Sie auf Ausschalten oder eine andere gewünschte Option.

Sie können die Uhr auch über das Ausschaltssymbol im Hauptmenü ausschalten.

1.7 Über die IP-Schutzart

Die Core Smartwatch hat die Schutzklasse IP67. Das bedeutet, dass sie es aushält, bis zu 30 Minuten lang in 1 Meter tiefes Wasser getaucht zu werden.

Hinweis: Beim Schwimmen im Meer oder in einem Salzwasserpool wird empfohlen, die Uhr nach dem Eintauchen mit Süßwasser abzuspülen, da Salzwasser eine korrosive Wirkung hat.

2. Ersteinrichtung

2.1 Laden Sie die App herunter

Die mit der Core Smartwatch kompatible App heißt Co-Fit. Es gibt mehrere Möglichkeiten, sie herunterzuladen:

- Tippen Sie hier, um die Co-Fit App von Google Play oder aus dem App Store herunterzuladen.



- Sie können die App auch direkt herunterladen, indem Sie in der Suchmaschine von Google Play oder im App Store "Co-Fit" eingeben.

- Eine andere Möglichkeit, die App herunterzuladen, ist über einen QR-Code. Dieser QR-Code wird angezeigt, wenn Sie die Smartwatch einschalten. Sie können den QR-Code auch erhalten, indem Sie auf dem Startbildschirm nach unten wischen und auf das QR-Symbol tippen.

2.2 Registrierung in der App

Die Registrierung in der App ist sehr einfach.

1. Wenn Sie die App aufrufen, akzeptieren Sie die Berechtigungen und wählen Sie Ihre Region aus. Dann sehen Sie Folgendes:



2. Wir empfehlen Ihnen, die App über die Google-Option aufzurufen. Wählen Sie dann Ihre Gmail- oder Hotmail-Adresse und melden Sie sich sofort an. Sobald Sie drin sind, sehen Sie diesen Bildschirm:



3. Geben Sie Ihre E-Mail-Adresse ein und tippen Sie auf die Option Bestätigungscode senden. Wenn Sie dies tun, gelangen Sie zu diesem Bildschirm:



4. Geben Sie den Verifizierungscode ein, den Sie in Ihrem E-Mail-Posteingang erhalten. Sobald Sie dies getan haben, können Sie loslegen. Stellen Sie sicher, dass Sie alle von der App geforderten Berechtigungen akzeptieren, um eine optimale Leistung und Funktionsnutzung zu gewährleisten.

2.3 Koppeln von iOS- und Android-Geräten

1. Aktivieren Sie Bluetooth auf Ihrem Smartphone.

2. Melden Sie sich bei der Co-Fit App an und öffnen Sie den Profilbereich (dritte Option unten auf dem Bildschirm).

3. Tippen Sie auf die Geräteoption. Daraufhin werden die Geräte angezeigt, die gebunden werden können. Tippen Sie auf das Gerät namens CORE.



4. Sobald Sie auf das Gerät mit dem Namen KSIX CORE tippen, beginnt der Bindungsprozess. Halten Sie die Uhr dabei nahe an Ihr Smartphone.



5. Wie bereits erwähnt, stellen Sie sicher, dass Sie alle von der App angeforderten Berechtigungen akzeptieren. Vergewissern Sie sich auch, dass die App korrekt über Bluetooth verbunden ist. Wenn dies nicht der Fall ist, rufen Sie die Bluetooth-Einstellungen

2.4 Problemlösung

Wenn die App das Gerät nicht findet, schalten Sie die Smartwatch aus und dann wieder ein.

Wenn sich das Gerät schnell verbindet und wieder trennt, befindet sich möglicherweise ein Hindernis zwischen dem Gerät und dem Telefon. Das Tragen von Metallschmuck kann die Stabilität der Verbindung beeinträchtigen.

Wenn das Gerät nicht aufgeladen wird, kann dies an einem verschmutzten oder verrosteten Ladeanschluss liegen.

3. Nutzung und Funktionen

Es ist sehr wichtig, dass Sie immer alle von der App angeforderten Berechtigungen akzeptieren, damit die Smartwatch optimal funktioniert. Aktivieren Sie außerdem alle gewünschten Funktionen über die Geräteoption im Profilbereich in der Co-Fit App.

3.1 Wie man die Smartwatch durchsucht

Die Bedienung der Core Smartwatch ist sehr einfach und intuitiv:

• Über den Bildschirm wischen

Streichen Sie auf dem Hauptbildschirm mit dem Finger nach rechts oder links, um das Schnellzugriffsmenü aufzurufen. Wischen Sie auf dem Startbildschirm nach links oder rechts und tippen Sie auf das "+"-Symbol, um die Funktionen auszuwählen, die Sie anzeigen möchten. Dort sehen Sie Optionen wie Herzfrequenz, Musiksteuerung, Schlafüberwachung, Wetter und vieles mehr. Tippen Sie auf das grüne "+"-Symbol neben jeder Funktion, um sie dem Schnellzugriffsmenü hinzuzufügen. Wenn Sie vom Hauptbildschirm aus erneut nach rechts wischen, werden die von Ihnen ausgewählten Optionen angezeigt. Das linke und das rechte Schnellzugriffsmenü sind nicht unabhängig voneinander, d. h. ob Sie nach rechts oder nach links wischen, es werden dieselben Funktionen angezeigt, aber in umgekehrter Reihenfolge.

Streichen Sie mit dem Finger vom Hauptbildschirm nach unten, um das Optionsmenü aufzurufen. Hier finden Sie verschiedene Funktionen, wie z. B. den Modus "Nicht stören", die Einstellungen, den Alarm, die Display-Helligkeit und andere. Um eine dieser Optionen aufzurufen, tippen Sie auf das entsprechende Symbol.

Streichen Sie Ihren Finger vom Hauptbildschirm nach oben, um App-Benachrichtigungen,

verpasste Anrufe, Textnachrichten und andere Benachrichtigungen anzuzeigen.

- Über die Taste

Drücken Sie die Smartwatch-Taste, um das Hauptmenü aufzurufen. Hier können Sie auf alle Funktionen der Smartwatch zugreifen, indem Sie auf das entsprechende Symbol tippen.

3.2 Ändern des Zifferblatts

Es gibt 2 Möglichkeiten, das Zifferblatt des Core zu ändern:

Die erste Möglichkeit besteht innerhalb der Smartwatch. Tippen Sie auf dem Startbildschirm einfach 2 Sekunden lang auf das Display und Sie sehen mehrere Zifferblattanzeigen. Tippen Sie auf das Zifferblatt, das Ihnen am besten gefällt, um es zu Ihrem Startbildschirm zu machen.

Die zweite Möglichkeit besteht in der Co-Fit App. Tippen Sie im Gerätebereich auf Thema. Es wird eine Vielzahl von Themen angezeigt. Laden Sie das Thema herunter, das Ihnen am besten gefällt, und es wird zur Liste der Zifferblattanzeigen auf Ihrer Smartwatch hinzugefügt. Im gleichen App-Bereich können Sie auch auf ein Tool zur Anpassung des Zifferblatts zugreifen. Hier können Sie das Hintergrundbild der Uhr, ein digitales oder analoges Zifferblatt auswählen und Sport-/Gesundheitsdaten hinzufügen. Sie können auch ein Bild aus der Galerie Ihres Smartphones als Hintergrundbild verwenden.

3.3 Anrufe

Mit der Core Smartwatch können Sie Anrufe tätigen, empfangen, annehmen und ablehnen. Dank des eingebauten Mikrofons und Lautsprechers können Sie allein mit der Smartwatch ein Telefongespräch führen.

- Entgegennahme, Beantwortung und Abweisung von Anrufen

Es ist sehr wichtig, dass die Funktion für eingehende Anrufe aktiviert ist, um eingehende Anrufe zu empfangen. Die Anrufe werden in Echtzeit auf dem Display angezeigt und die Uhr vibriert.

Anrufe können durch Drücken des grünen Symbols angenommen und durch Drücken des roten Symbols abgelehnt werden.

Wenn der Anruf angenommen wird, kann er durch Drücken des roten Symbols beendet werden. Um den Anruf abzulehnen, tippen Sie auf das rote Symbol, bevor Sie den Anruf annehmen. Eine Benachrichtigung über einen verlorenen Anruf erscheint auf dem Display der Smartwatch.

Wenn die Funktion für eingehende Anrufe nicht aktiviert ist, zeigt die Smartwatch nur Benachrichtigungen über eingehende Anrufe an, sendet aber keine Echtzeitsignale und vibriert nicht.

- Anrufe tätigen

Es gibt drei Möglichkeiten, um Anrufe zu tätigen:

Einen Kontakt anrufen: Wählen Sie bis zu 20 Kontakte aus der Kontaktsynchronisierungsoption im Gerätebereich der Co-Fit App aus. Rufen Sie dann das Hauptmenü der Smartwatch auf und tippen Sie auf das blaue Symbol, das eine Person zeigt. Hier sehen Sie die Kontakte, die Sie zuvor über Co-Fit ausgewählt haben. Tippen Sie auf den gewünschten Kontakt, um den Anruf zu tätigen.

- Wählen: Öffnen Sie das Hauptmenü der Smartwatch und tippen Sie auf das grüne Wählsymbol. Dort können Sie die Telefonnummer wählen, die Sie anrufen möchten. Wenn Sie gewählt haben, tippen Sie auf das grüne Telefonsymbol, um den Anruf zu tätigen.
- Menü anrufen: Rufen Sie das Hauptmenü der Smartwatch auf und tippen Sie auf das blaue Symbol, das ein Telefon zeigt. Daraufhin werden 3 Optionen angezeigt. Mit der ersten Option können Sie einen Kontakt anrufen. Mit der zweiten Option können Sie eine Anrufliste anzeigen; tippen Sie auf die gewünschte Option, um einen Anruf zu tätigen. Mit der dritten Option können Sie eine Rufnummer wählen. Sie können diese Funktion auch an das Schnellzugriffsmenü anhängen.

3.4 Benachrichtigungen

Die Smartwatch zeigt Ihre Smartphone-Benachrichtigungen an. Dazu gehören Apps wie: WhatsApp, Gmail, Instagram, Twitter, LinkedIn, und viele andere. Stellen Sie sicher, dass Sie alle über die Co-Fit App aktivieren.

Um auf die erhaltenen Benachrichtigungen zuzugreifen, wischen Sie auf dem Hauptbildschirm nach oben.

3.5 Sprachassistenten

Die Core Smartwatch ist mit Sprachassistenten kompatibel. Um die Sprachassistenten korrekt zu konfigurieren, müssen Sie die Smartwatch erfolgreich mit Ihrem Smartphone über die Co-Fit App synchronisiert und alle Zugriffe aktiviert haben.

Um auf diese Funktion zuzugreifen, öffnen Sie das Hauptmenü der Smartwatch und tippen Sie auf das lila Symbol mit den Schallwellen. Tippen Sie anschließend auf das Symbol für den Sprachassistenten und stellen Sie Ihre Anfrage.

3.6 Musikkontrolle

Die Smartwatch verfügt über ein Werkzeug zur Musiksteuerung. Rufen Sie das Hauptmenü der Smartwatch auf und tippen Sie auf das Musiknoten-Symbol. Dort sehen Sie mehrere Optionen:

- Wiedergabe/Pause: Tippen Sie auf das Symbol, um die Musik, die Sie gerade hören, anzuhalten oder abzuspielen.
- Vorheriges Lied/Nächstes Lied: Tippen Sie auf das vorherige oder nächste Symbol, um das vorherige oder nächste Lied abzuspielen.
- Gerät wechseln: Tippen Sie auf das Gerätesymbol unten links, um zwischen dem Gerät, das die Musik abspielt, zu wechseln. Sie können zwischen Ihrem Smartphone und Ihrer Smartwatch hin- und herwechseln.

Sie können dieses Tool zum Schnellzugriffsmenü hinzufügen.
Vous pouvez ajouter cette fonction au menu d'accès rapide.

3.7 Fernsteuerung der Kamera

Mit der Core Smartwatch können Sie aus der Ferne Bilder von Ihrem Smartphone aufnehmen. Öffnen Sie das Hauptmenü der Smartwatch und tippen Sie auf das Kamerasymbol. Tippen Sie dort auf die Kamera, um ein Bild von Ihrem Smartphone aufzunehmen.

Damit diese Funktion funktioniert, müssen Sie zunächst auf die Co-Fit App zugreifen und diese geöffnet lassen.

3.8 Anti-verloren-Funktion

Die Smartwatch verfügt über eine Antiverloren-Funktion. Stellen Sie sicher, dass Sie diese Option in der Co-Fit App aktiviert haben. Dieses Tool lässt Ihr Telefon ertönen, damit Sie es finden können.

Um diese Funktion zu nutzen, öffnen Sie das Hauptmenü der Smartwatch und tippen Sie auf das blaue Smartphone-Symbol. Tippen Sie anschließend auf das Wiedergabesymbol, um Ihr Telefon zum Klingeln zu bringen.

3.9 Andere Funktionen

Die Core Smartwatch verfügt über eine Vielzahl weiterer Funktionen, wie z. B.: Wecker, Taschenrechner, Kalender, Stoppuhr, Timer, Börseninformationen, Wetter, Atemübungen, Erinnerung ansitzende Tätigkeiten und vieles mehr.

4. Gesundheit

4.1 Sports

Mit der Core Smartwatch können Sie eine Vielzahl von Sportarten überwachen. Öffnen Sie das Hauptmenü der Smartwatch und tippen Sie auf das orangefarbene Läufer-Symbol. Dort sehen Sie eine Vielzahl von Sportarten, wie z.B. Laufen, Klettern, Radfahren, Fußball, Basketball, Yoga und andere.

Tippen Sie auf die gewünschte Sportart, um die Überwachung zu starten. Daraufhin werden Sportdaten in Echtzeit angezeigt, wie z. B.: Herzfrequenz, zurückgelegte Schritte, Kalorienverbrauch und verbrauchte Zeit. Diese Daten können je nach ausgeübter Sportart variieren.

Sie können auch direkt über das Hauptmenü der Smartwatch auf die Überwachung beim Laufen (grünes Läufer-Symbol) und Radfahren (lila Radfahrersymbol) zugreifen. Sie können die Überwachung Ihrer Sportarten auch in der Co-Fit App im Sportbereich starten.

4.2 Pedometer, Kalorien und zurückgelegte Strecke

Die Smartwatch registriert automatisch die zurückgelegten Schritte, die verbrannten Kalorien und die zurückgelegte Strecke. Um diese Informationen anzuzeigen, öffnen Sie das Hauptmenü der Smartwatch und tippen Sie auf das Symbol mit den blauen, grünen und roten Halbkreisen.

Diese Daten werden auch im Statusbereich der Co-Fit App angezeigt. Sie können diese Funktion auch mit dem Schnellzugriffsmenü verbinden.

4.3 Herzfrequenzmesser

Die Core Smartwatch überwacht Ihre Herzfrequenz automatisch. Aktivieren Sie diese Funktion im Gerätebereich der Co-Fit App und wählen Sie das Überwachungsintervall (alle 30 Minuten, jede Stunde usw.).

Sie können auch sofort Ihre Herzfrequenz messen. Um diese Funktion zu nutzen, öffnen Sie das Hauptmenü der Smartwatch und tippen Sie auf das rote Herzsymbol. Nach ein paar Sekunden wird die Anzahl der Herzschläge pro Minute angezeigt.

Diese Daten werden im Bereich Co-Fit-Status angezeigt. Sie können diese Funktion auch an das Schnellzugriffsmenü anhängen.

4.4 Blutdruckmesser

Mit der Smartwatch können Sie Ihren Blutdruck sofort messen. Öffnen Sie dazu das Hauptmenü der Smartwatch und tippen Sie auf das Stethoskop-Symbol.

Tippen Sie dann auf das Wiedergabesymbol und halten Sie still. Nach ein paar Sekunden werden Ihre Blutdruckdaten angezeigt.

Diese Daten werden im Abschnitt Co-Fit-Status angezeigt.

4.5 Blutsauerstoffsättigungsmessgerät

Mit der Core Smartwatch können Sie Ihre Sauerstoffsättigung im Blut sofort messen. Um dieses Tool zu nutzen, öffnen Sie das Hauptmenü der Smartwatch und tippen Sie auf das rote Blutsymbol.

Bleiben Sie dort stehen und nach einigen Sekunden werden die Werte der Sauerstoffsättigung im Blut angezeigt.

Diese Daten werden im Abschnitt Co-Fit-Status angezeigt. Sie können diese Funktion auch mit dem Schnellzugriffsmenü verbinden.

4.6 Stressmesser

Die Smartwatch verfügt über ein Stressmessgerät. Um dieses Tool zu nutzen, öffnen Sie das Hauptmenü der Smartwatch und tippen Sie auf das blaue Symbol mit einer Person und einem Herz.

Bleiben Sie dort stehen, und nach einer Minute werden Ihre Stressdaten angezeigt.

Diese Daten werden im Abschnitt Co-Fit-Status angezeigt. Sie können diese Funktion auch mit dem Schnellzugriffsmenü verbinden.

4.7 Schlafmonitor

Die Core-Smartwatch funktioniert, während Sie schlafen, und liefert Statistiken über die Zeit und Qualität Ihres Schlafs. Die verfügbaren Informationen dieses Tools sind in der Co-Fit App detaillierter als in der Smartwatch:

- In der Smartwatch: Um die Schlafdauer abzufragen, öffnen Sie das Hauptmenü und tippen Sie auf das lila Mondsymboll. Dort wird die geschlafene Zeit angezeigt sowie die Zeit, die Sie im Tiefschlaf, im leichten Schlaf und im Wachzustand verbracht haben.
- In der App: Ihre Schlafdaten werden auch im Statusbereich der Co-Fit App angezeigt. Hier sehen Sie die Zeit, die Sie geschlafen haben, sowie die Zeit, in der Sie sich im Tiefschlaf, Leichtschlaf und im Wachzustand befunden haben. Sie können auch eine wöchentliche und monatliche Schlafaufzeichnung mit all Ihren Schlafdaten anzeigen.

Sie können diese Funktion auch an das Schnellzugriffsmenü anhängen.

4.8 Menstruationszyklus

Mit der Co-Fit App können Sie Erinnerungen an Ihren Menstruationszyklus einstellen. Öffnen Sie den Gerätebereich der Co-Fit App und tippen Sie auf die Option Gesundheitskontrolle. Dort können Sie einige Daten einstellen, die auf dem Schnellzugriffsmenü der Smartwatch angezeigt werden. Daten wie die Dauer Ihrer Periode, die Zyklusdauer, die letzte Menstruation sowie Erinnerungen an Periode und Eisprung.

Sie können alle Benachrichtigungen zu Ihrem Menstruationszyklus im Schnellzugriffsmenü der Smartwatch sehen und sich über die Daten Ihrer Periode auf dem Laufenden halten.

5. Freistellungsklausel

1. Die Herzfrequenz- und Blutdruckdaten der Core Smartwatch dürfen nicht als Grundlage für medizinische oder diagnostische Entscheidungen verwendet werden.
2. Nur qualifiziertes medizinisches Personal kann Herz-Kreislauf-Erkrankungen und Bluthochdruckprobleme diagnostizieren und behandeln. Wenden Sie sich an Ihr medizinisches Zentrum, um ein medizinisches Gutachten einzuholen, und behandeln oder diagnostizieren Sie sich nicht selbst.
3. Die Herzfrequenz- und Blutdruckdaten der Core Smartwatch können aufgrund von Faktoren wie Signalstörungen, unsachgemäßer Platzierung des Geräts, Wetterbedingungen oder physiologischen Veränderungen ungenau sein.
4. Verwenden Sie die Daten der Core Smartwatch nicht, um Ihre Medikation oder medizinische Behandlung zu ändern. Befolgen Sie die Anweisungen des autorisierten medizinischen Personals.
5. Wir übernehmen keine Verantwortung für die Ungenauigkeit der obigen Angaben und haften auch nicht für die Folgen der Verwendung solcher Informationen.

6. Wartungsempfehlungen

- Reinigen Sie das Produkt regelmäßig mit einem trockenen Tuch. Das Produkt muss beim Reinigen vom Strom getrennt oder ausgeschaltet werden.
- Halten Sie die Stecker und/oder Anschlüsse frei von Staub, Flusen usw., um unsachgemäße Anschlüsse zu vermeiden.
- Vermeiden Sie es, das Gerät zu beschädigen. Legen Sie keine Gegenstände darauf und biegen Sie sie nicht zu stark.
- Wenn das Produkt ein Kabel enthält, biegen Sie es nicht zu stark und ziehen Sie nicht daran, um das Produkt vom Stromnetz zu trennen.
- Bewahren Sie sie immer an einem trockenen Ort, geschützt vor Feuchtigkeit, auf.
- Wenn Sie das Produkt nicht verwenden, bewahren Sie es an einem Ort auf, der frei von Staub, Schmutz, Flusen, Flüssigkeiten usw. ist.
- Wenn Wasser oder andere Flüssigkeiten in das Innere des Produkts eindringen, trennen Sie es sofort von einer angeschlossenen Stromquelle oder einem Gerät, an das es angeschlossen ist.
- Vermeiden Sie es, das Produkt fallen zu lassen oder darauf zu schlagen. Es kann beschädigt

werden.

- Verwenden Sie das Produkt nicht für andere als den vorgesehenen Zweck.
- Bitte recyceln Sie das Produkt in Übereinstimmung mit den örtlichen Umweltgesetzen und -vorschriften.

7. Sicherheitshinweise

Bitte lesen Sie die folgenden Anweisungen, bevor Sie das Gerät zum ersten Mal benutzen:

- When you use device keep it away from heat sources (fire) and from humidity sources (water and other liquids).
- If the product is wet or damaged do not use it.
- Do not use the product with wet hands.
- Do not leave the product in contact with flammable materials.
- Do not expose the product to high temperatures (for example: inside a car during hot weather).
- Do not throw the product into fire.
- Keep the product away from children.
- Disconnect or switch off the product if you are not going to use for a long period of time.
- Do not use the device if you perceive any visible defects.
- Do not attempt to open or puncture the product. You might damage it.
- Do not use the product with incompatible devices.
- Do not dismount or modify the product. These actions will invalidate the Warranty.

8. Rechtliche Hinweise

Atlantis Internacional erklärt hiermit, dass dieses Produkt den grundlegenden Anforderungen und anderen einschlägigen Bestimmungen der Richtlinie 2014/53/EG entspricht. Die in dieser Bedienungsanleitung beschriebenen Eigenschaften und Funktionen basieren auf Tests unserer Firma. Es liegt in der Verantwortung des Benutzers, das Produkt nach dem Kauf zu untersuchen und zu überprüfen. Technische Daten und Design können ohne vorherige Ankündigung geändert werden. Atlantis Internacional S.L. ist nicht verantwortlich und haftet nicht für persönliche Verluste oder Verletzungen, wirtschaftliche Verluste, materielle Verluste oder Schäden an Ihrem Gerät aufgrund von falscher Verwendung, Missbrauch oder unsachgemäßer Installation des Produkts. Atlantis Internacional S.L. ist nicht verantwortlich und haftet niemals für Funktions-, Kommunikations- und Verbindungsausfälle zwischen dem Produkt und Bluetooth-fähigen Geräten.

9. Entsorgung elektronischer und elektrischer Geräte

Dieses Symbol zeigt an, dass elektrische und elektronische Geräte getrennt gesammelt werden müssen.



- Dieses Produkt ist für eine separate Sammlung an einer geeigneten Sammelstelle bestimmt. Nicht als Hausmüll entsorgen.
- Wenn das Gerät Batterien verwendet, müssen diese aus dem Gerät entfernt und in einer entsprechenden Sammelstelle entsorgt werden. Wenn die Batterien nicht entfernt werden können, versuchen Sie nicht, dies selbst zu tun, da es von einem qualifizierten Fachmann durchgeführt werden muss.
- Separates Sammeln und Recycling helfen, natürliche Ressourcen zu schonen und negative Folgen für die menschliche Gesundheit und die Umwelt zu verhindern, die sich aus einer falschen Entsorgung ergeben könnten.
- Der Endpreis dieses Produkts beinhaltet die Kosten, die für die korrekte umweltgerechte Entsorgung der erzeugten Abfälle erforderlich sind.
- Für weitere Informationen wenden Sie sich bitte an den Einzelhändler oder die für die Abfallwirtschaft zuständigen lokalen Behörden.

CORE SMARTWATCH

Manuale d'uso

BXSW16N, BXSW16R

1. Caratteristiche

1.1 Specifiche tecniche

Schermo: 1,43" AMOLED Multitouch 466 x 466

Batteria: Polimero de litio 260 mAh

Frequenza di tensione: 5V/2A 50-60 Hz

Connettività: Bluetooth 5.0

Compatibilità: Android 4.4 / iOS 9.0 e versioni successive

Applicazione: CO-FIT

Materiale dell'alloggiamento: ABS

Materiale dello schermo: Vetro temperato

Materiale del cinturino: Cinturino in silicone e fibbia in acciaio inossidabile

Grado di protezione: IP67 (sommersibile a 1 metro per 30 minuti)

Dimensioni dell'orologio: 46 x 46 x 11 mm

Larghezza del cinturino: 22 mm

Diametro della chiusura del polso: 14 a 19 cm

Peso: 21,5 g

Autonomia: 5 giorni in uso normale, 2 giorni in uso intenso

Tempo di ricarica: 2 ore

Microfono e altoparlante integrati

Funzioni di salute: Monitor sportivo, pedometro, cardiofrequenzimetro, misuratore di pressione sanguigna, misuratore di saturazione dell'ossigeno nel sangue, misuratore di stress, monitor del sonno, ciclo mestruale

Funzioni: Effettuare e ricevere chiamate, notifiche, assistente vocale, controllo della musica, controllo remoto della fotocamera, funzione anti-perso

Altre funzioni: Sveglia, calcolatrice, calendario, cronometro, timer, informazioni sul mercato azionario, meteo, esercizi di respirazione, promemoria per la sedentarietà, ecc.

Lingue: Inglese, spagnolo, francese, tedesco, italiano, portoghese, russo, olandese, cinese, giapponese, coreano, arabo, greco, finlandese, croato, turco, rumeno, danese, ucraino, urdu, ebraico, ecc.

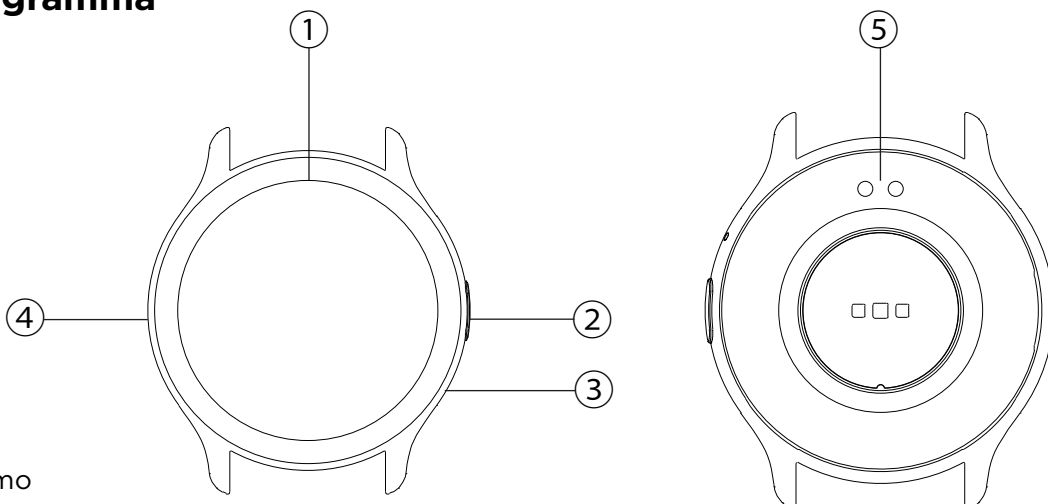
1.2 Nella confezione

1 x Smartwatch

1 x Cavo USB-A con porta di ricarica magnetica (60 cm)

1 x Manuale

1.3 Diagramma



① Schermo

② Pulsante

③ Microfono

④ Altoparlante

⑤ Pin di ricarica magnetici

1.4 Come collegare e rimuovere le cinghie

Sebbene nella confezione sia inclusa una sola cinghia, è possibile agganciarla e rimuoverla facilmente. La cinghia più corta deve essere posizionata nella fessura superiore del display, mentre quella più lunga deve essere posizionata nella fessura inferiore del display. In caso contrario, il sistema di inserimento potrebbe subire danni irreparabili.

1. Per rimuovere una cinghia: tenere la cinghia e far scorrere con cautela il pezzo metallico dal suo foro.
2. Per fissare una cinghia: tenere la cinghia e inserire il pezzo metallico a un'estremità. Quindi, far scorrere il pezzo metallico sull'altra estremità e inserire l'estremità della cinghia in modo che quando si lascia andare il pezzo metallico si inserisca nel foro della custodia.

1.5 Ricarica

Il tempo di ricarica completa dello smartwatch Core è di circa 2 ore e la batteria può durare fino a 5 giorni a seconda dell'utilizzo.

Per caricare lo smartwatch, utilizzare il cavo USB-A da 60 cm con porta di ricarica magnetica incluso nella confezione. Collegare il connettore USB-A a un caricabatterie, a un'uscita del computer o a una powerbank e posizionare la porta magnetica in modo che si attacchi ai 2 pin dorati presenti sul retro dell'orologio.

1.6 Accensione e spegnimento

Per accendere lo smartwatch, premere il pulsante per 3 secondi.

Per spegnere lo smartwatch, premere il pulsante per 2 secondi; appariranno 3 opzioni: spegnimento, reset di fabbrica e riavvio. Toccare lo spegnimento o qualsiasi altra opzione desiderata.

È possibile spegnerlo anche dall'icona di spegnimento nel menu principale.

1.7 Über die IP-Schutzart

Die Core Smartwatch hat die Schutzklasse IP67. Das bedeutet, dass sie es aushält, bis zu 30 Minuten lang in 1 Meter tiefes Wasser getaucht zu werden.

Hinweis: Beim Schwimmen im Meer oder in einem Salzwasserpool wird empfohlen, die Uhr nach dem Eintauchen mit Süßwasser abzuspülen, da Salzwasser eine korrosive Wirkung hat.

2. Configurazione iniziale

2.1 Scaricare l'applicazione

L'applicazione compatibile con lo smartwatch Core si chiama Co-Fit. Ci sono diversi modi per scaricarla:

- Toccare qui per scaricare l'app Co-Fit da Google Play o App Store.



- È anche possibile scaricare direttamente l'applicazione digitando "Co-Fit" nel motore di ricerca di Google Play o App Store.

- Un altro modo per scaricare l'app è un codice QR. Il codice QR viene visualizzato all'accensione dello smartwatch. È possibile ottenere il codice QR anche scorrendo la schermata iniziale verso il basso e toccando l'icona QR.

2.2 Registrazione nell'app

La registrazione nell'app è molto semplice.

1. Quando si accede all'applicazione, accettare le autorizzazioni e scegliere la propria regione. Quindi, si vedrà quanto segue:



2. Si consiglia di accedere all'applicazione con l'opzione Google. Una volta fatto, scegliete il vostro indirizzo Gmail o Hotmail e accederete immediatamente. Una volta entrati, vedrete questa schermata:



3. Inserite il vostro indirizzo e-mail e toccate l'opzione invia codice di verifica. A questo punto si accede a questa schermata:



4. Inserite il codice di verifica che riceverete nella vostra casella di posta elettronica. Una volta fatto ciò, siete pronti a partire. Assicuratevi di accettare tutte le autorizzazioni richieste dall'applicazione per garantire prestazioni e funzioni ottimali.

2.3 Accoppiamento di dispositivi iOS / Android

1. Attivare il Bluetooth dello smartphone.

2. Accedere all'app Co-Fit e alla sezione profilo (terza opzione in fondo allo schermo).

3. Toccare l'opzione dispositivo. Una volta fatto ciò, verranno visualizzati i dispositivi pronti per essere collegati. Toccare il dispositivo denominato CORE.

4. Una volta toccato il dispositivo denominato KSIX CORE, si avvierà il processo di associazione. A questo punto, tenere l'orologio vicino allo smartphone.



5. Come già detto, assicuratevi di accettare tutte le autorizzazioni richieste dall'applicazione. Assicuratevi anche che si leghi correttamente al Bluetooth. In caso contrario, accedere alle impostazioni del telefono Bluetooth e selezionare KSIX CORE. Ihres Telefons auf und wählen Sie KSIX CORE. sélectionnez KSIX CORE.

2.4 Risoluzione dei problemi

- Se l'applicazione non riesce a trovare il dispositivo, spegnere e riaccendere lo smartwatch.
- Se il dispositivo si connette e si disconnette rapidamente, potrebbe esserci un'ostruzione tra il dispositivo e il telefono. Indossare gioielli di metallo può interferire con la stabilità della connessione.
- Se il dispositivo non si caricasse, la causa potrebbe essere una porta di ricarica sporca o arrugginita.

3. Uso e funzioni

È molto importante accettare sempre tutte le autorizzazioni richieste dall'app, in modo che lo smartwatch funzioni in modo ottimale. Attivare anche tutte le funzioni desiderate dall'opzione del dispositivo nella sezione del profilo dell'app Co-Fit.

3.1 Come navigare nello smartwatch

Il metodo di utilizzo dello smartwatch Core è molto semplice e intuitivo:

• Mediante scorrimento dello schermo

Passare il dito a destra o a sinistra dalla schermata principale per accedere al menu di accesso rapido. Per scegliere le funzioni che si desidera visualizzare, passare il dito a sinistra o a destra dalla schermata principale e toccare l'icona "+". Una volta entrati, si vedranno opzioni come la frequenza cardiaca, il controllo della musica, il monitor del sonno, il meteo e molte altre. Toccare l'icona verde "+" accanto a ciascuna funzione per aggiungerla al menu di accesso rapido. Passando nuovamente il dito verso destra dalla schermata principale, verranno visualizzate le opzioni selezionate. I menu di accesso rapido di destra e di sinistra non sono indipendenti, il che significa che, passando il dito a destra o a sinistra, verranno visualizzate le stesse funzioni ma nell'ordine opposto.

Passare il dito verso il basso dalla schermata principale per accedere al menu delle opzioni. Qui si trovano diverse funzioni, come la modalità non disturbare, le impostazioni, la sveglia, la luminosità del display e altre ancora. Per accedere a una di queste opzioni, toccare l'icona corrispondente.

Scorrere il dito verso l'alto dalla schermata principale per visualizzare le notifiche delle app, le chiamate perse, i messaggi di testo e altre notifiche.

• **Mediante scorrimento dello schermo**

Premere il pulsante dello smartwatch per accedere al menu principale. Qui è possibile accedere a tutte le funzioni dello smartwatch toccando l'icona corrispondente.

• **Mediante pulsante**

Premere il pulsante dello smartwatch per accedere al menu principale. Qui è possibile accedere a tutte le funzioni dello smartwatch toccando l'icona corrispondente.

3.2 Modifica del quadrante dell'orologio

Esistono due opzioni per cambiare il quadrante dell'orologio del Core:

- La prima opzione è all'interno dello smartwatch. Nella schermata iniziale, basta toccare il display per 2 secondi per visualizzare diversi quadranti. Toccare quella che piace di più per renderla il quadrante della schermata iniziale.
- La seconda opzione si trova all'interno dell'app Co-Fit. Nella sezione del dispositivo, toccare il tema. Verrà visualizzata un'ampia gamma di temi; scaricate quello che vi piace di più e verrà aggiunto all'elenco dei quadranti dello smartwatch. Dalla stessa sezione dell'app, è possibile accedere allo strumento di personalizzazione del quadrante dell'orologio. Qui sarà possibile scegliere lo sfondo dell'orologio, un quadrante digitale o analogico e aggiungere dati sullo sport/salute. È inoltre possibile utilizzare un'immagine della galleria del proprio smartphone come sfondo

3.3 Chiamate

Lo smartwatch Core consente di effettuare, ricevere, rispondere e rifiutare le chiamate. Grazie al microfono e all'altoparlante integrati, è possibile mantenere una conversazione telefonica con il solo smartwatch.

• **Ricevere, rispondere e rifiutare le chiamate**

È molto importante che la funzione chiamate in arrivo sia attivata per ricevere le chiamate in arrivo. Le chiamate vengono visualizzate in tempo reale sullo schermo e l'orologio vibra.

Le chiamate possono essere accettate premendo l'icona verde e rifiutate premendo l'icona rossa.

Se la chiamata viene accettata, può essere terminata premendo l'icona rossa. Per rifiutare la chiamata, toccare l'icona rossa prima di rispondere. Sul display dello smartwatch apparirà una notifica di chiamata persa.

Se la funzione di chiamata in arrivo non è attivata, lo smartwatch visualizzerà solo le notifiche di chiamata in arrivo, ma non emetterà segnali in tempo reale né vibrerà.

• **Effettuare chiamate**

Per effettuare le chiamate sono disponibili tre opzioni:

- Chiamare un contatto: Scegliere fino a 20 contatti dall'opzione di sincronizzazione dei contatti, nella sezione del dispositivo dell'app Co-Fit. Una volta fatto ciò, accedere al menu principale dello smartwatch e toccare l'icona blu che mostra una persona. Qui verranno visualizzati i contatti scelti in precedenza tramite Co-Fit. Toccare il contatto desiderato per effettuare la chiamata.
- Composizione: accedere al menu principale dello smartwatch e toccare l'icona verde della composizione. Una volta dentro, sarà possibile comporre il numero di telefono che si desidera chiamare. Una volta composto, toccare l'icona verde del telefono per effettuare la chiamata.
- Menü anrufen: Rufen Sie das Hauptmenü der Smartwatch auf und tippen Sie auf das blaue Symbol, das ein Telefon zeigt. Daraufhin werden 3 Optionen angezeigt. Mit der ersten Option können Sie einen Kontakt anrufen. Mit der zweiten Option können Sie eine Anrufliste anzeigen; tippen Sie auf die gewünschte Option, um einen Anruf zu tätigen. Mit der dritten Option können Sie eine Rufnummer wählen. Sie können diese Funktion auch

- an das Schnellzugriffsmenü anhängen.

3.4 Notifiche

Lo smartwatch visualizza le notifiche dello smartphone. Questo include app come: WhatsApp, Gmail, Instagram, Twitter, LinkedIn e molte altre. Assicurarsi di attivarle tutte tramite l'app Co-Fit.

Per accedere alle notifiche ricevute, scorrere la schermata principale verso l'alto.

3.5 Assistenti vocali

Lo smartwatch Core è compatibile con gli assistenti vocali. Per configurare correttamente gli assistenti vocali, è necessario aver sincronizzato lo smartwatch con lo smartphone tramite l'app Co-Fit e aver abilitato tutti gli accessi.

Per accedere a questa funzione, entrare nel menu principale dello smartwatch e toccare l'icona viola che mostra le onde sonore. Una volta entrati, toccare l'icona dell'assistente vocale ed effettuare la richiesta.

3.6 Controllo musicale

Lo smartwatch dispone di uno strumento di controllo musicale. Accedere al menu principale dello smartwatch e toccare l'icona della nota musicale. Una volta all'interno, si vedranno diverse opzioni:

- Riproduci/Pausa: Toccare l'icona per mettere in pausa o riprodurre la musica che si sta ascoltando.
- Canzone precedente/successiva: Toccare l'icona precedente o successiva per riprodurre il brano precedente o successivo.
- Scambia dispositivo: Toccare l'icona del dispositivo in basso a sinistra per scambiare il dispositivo che sta riproducendo la musica. È possibile passare dallo smartphone allo smartwatch.

È possibile aggiungere questo strumento al menu di accesso rapido.

3.7 Controllo remoto della telecamera

Lo smartwatch Core consente di scattare foto dallo smartphone in remoto. Accedere al menu principale dello smartwatch e toccare l'icona della fotocamera. Una volta dentro, toccare la fotocamera per scattare una foto dallo smartphone.

Affinché questa funzione funzioni, è necessario accedere all'app Co-Fit e lasciarla aperta.

3.8 Funzione anti-smarrimento

Lo smartwatch dispone di una funzione anti-smarrimento. Assicurarsi di aver attivato questa opzione nell'app Co-Fit. Questo strumento farà suonare il telefono in modo da poterlo ritrovare.

Per utilizzare questa funzione, accedere al menu principale dello smartwatch e toccare l'icona blu dello smartphone. Una volta dentro, toccare l'icona play per far suonare il telefono.

3.9 Altre funzioni

Lo smartwatch Core è dotato di un'ampia gamma di altre funzioni, tra cui: sveglia, calcolatrice, calendario, cronometro, timer, informazioni sul mercato azionario, meteo, esercizi di respirazione, promemoria per la sedentarietà, ecc.

4. Salute

4.1 Sport

Lo smartwatch Core consente di monitorare una serie di sport. Accedere al menu principale dello smartwatch e toccare l'icona arancione del corridore. Una volta entrati, si vedrà un'ampia varietà di sport, come: corsa, arrampicata, ciclismo, calcio, basket, yoga, tra gli altri.

Toccare lo sport desiderato per avviare il monitoraggio. Una volta fatto ciò, verranno visualizzati in tempo reale i dati relativi allo sport, quali: frequenza cardiaca, passi compiuti, calorie bruciate e tempo impiegato. Questi dati possono variare a seconda dello sport praticato.

È inoltre possibile accedere al monitoraggio della corsa (icona verde del corridore) e del ciclismo (icona viola del ciclista) direttamente dal menu principale dello smartwatch. È inoltre possibile avviare il monitoraggio degli sport dall'app Co-Fit, nella sezione sport.

4.2 Pedometro, calorie e distanza percorsa

Lo smartwatch registra automaticamente i passi compiuti, le calorie bruciate e la distanza percorsa. Per visualizzare queste informazioni, accedere al menu principale dello smartwatch e toccare l'icona con i semicerchi blu, verdi e rossi.

Questi dati appariranno anche nella sezione di stato dell'app Co-Fit. È anche possibile aggiungere questa funzione al menu di accesso rapido.

4.3 Misuratore della frequenza cardiaca

Lo smartwatch Core monitora automaticamente la frequenza cardiaca. Attivare questa funzione dalla sezione del dispositivo dell'app Co-Fit e scegliere l'intervallo di monitoraggio (ogni 30 minuti, ogni ora, ecc.).

Sarà inoltre possibile misurare immediatamente la frequenza cardiaca. Per utilizzare questo strumento, accedere al menu principale dello smartwatch e toccare l'icona rossa del cuore. Dopo qualche secondo, verrà visualizzato il numero di battiti cardiaci al minuto.

Questi dati saranno visualizzati nella sezione Stato di Co-Fit. È anche possibile aggiungere questa funzione al menu di accesso rapido.

4.4 Misuratore di pressione sanguigna

Lo smartwatch consente di misurare istantaneamente la pressione sanguigna. Per farlo, accedere al menu principale dello smartwatch e toccare l'icona dello stetoscopio.

Una volta dentro, toccare l'icona play e rimanere fermi. Dopo qualche secondo, verranno visualizzati i dati relativi alla pressione arteriosa.

Questi dati saranno visualizzati nella sezione Stato di Co-Fit.

4.5 Misuratore della saturazione di ossigeno nel sangue

Lo smartwatch Core consente di misurare istantaneamente i livelli di saturazione dell'ossigeno nel sangue. Per utilizzare questo strumento, accedere al menu principale dello smartwatch e toccare l'icona del sangue rosso.

Una volta entrati, rimanete fermi e, dopo qualche secondo, verranno visualizzati i valori di saturazione dell'ossigeno nel sangue.

Questi dati saranno visualizzati nella sezione Stato di Co-Fit. È anche possibile aggiungere questa funzione al menu di accesso rapido.

4.6 Misuratore di stress

Lo smartwatch dispone di un misuratore di stress. Per utilizzare questo strumento, accedere al menu principale dello smartwatch e toccare l'icona blu con una persona e un cuore.

Una volta entrati, rimanere fermi e, dopo un minuto, verranno visualizzati i dati sullo stress.

Questi dati saranno visualizzati nella sezione Stato di Co-Fit. È anche possibile aggiungere questa funzione al menu di accesso rapido.

4.7 Monitoraggio del sonno

Lo smartwatch Core funziona mentre si dorme e fornisce statistiche sul tempo e sulla qualità del sonno. Le informazioni disponibili per questo strumento sono più dettagliate nell'app Co-Fit che nello smartwatch:

- Nello smartwatch: Per consultare il tempo di sonno, accedere al menu principale e toccare l'icona della luna viola. Una volta all'interno, verranno visualizzati l'ora in cui si è dormito e il tempo in cui si è stati nel sonno profondo, nel sonno leggero e al risveglio.
- Nell'app: I dati sul sonno vengono visualizzati anche nella sezione di stato dell'app Co-Fit. Qui è possibile visualizzare l'ora in cui si è dormito, il tempo trascorso nel sonno profondo, nel sonno leggero e nella veglia. È inoltre possibile visualizzare un registro settimanale e mensile del sonno con tutti i dati relativi al sonno.

È inoltre possibile aggiungere questa funzione al menu di accesso rapido.

4.8 Ciclo mestruale

L'app Co-Fit consente di impostare promemoria relativi al ciclo mestruale. Accedere alla sezione del dispositivo dell'app Co-Fit e toccare l'opzione di controllo della salute. Una volta entrati, sarà possibile impostare alcuni dati che verranno visualizzati nel menu di accesso rapido dello smartwatch. Dati come la durata delle mestruazioni, la durata del ciclo, l'ultima mestruazione e i promemoria per le mestruazioni e l'ovulazione.

Sarà possibile visualizzare tutte le notifiche del ciclo mestruale nel menu di accesso rapido dello smartwatch e tenersi aggiornati sui dati relativi alle mestruazioni.

5. Clausola di esenzione

1. I dati relativi alla frequenza cardiaca e alla pressione sanguigna dello smartwatch Core non devono essere utilizzati come base per alcuna decisione medica o diagnostica.
2. Solo personale medico qualificato può diagnosticare e trattare malattie cardiovascolari e problemi di pressione alta. Rivolgersi al proprio centro medico per un parere medico, e non effettuare trattamenti o diagnosi da soli.
3. I dati relativi alla frequenza cardiaca e alla pressione sanguigna dello smartwatch Core potrebbero non essere accurati a causa di fattori quali interferenze del segnale, posizionamento improprio del dispositivo o cambiamenti climatici o fisiologici.
4. Non utilizzare i dati dello smartwatch Core per modificare i farmaci o il trattamento medico. Seguire le istruzioni fornite dal personale medico autorizzato.
5. Non ci assumiamo alcuna responsabilità per l'inesattezza di quanto sopra, né per le conseguenze dell'uso di tali informazioni.

6. Consigli di manutenzione

- Pulire regolarmente il prodotto con un panno asciutto. Il prodotto deve essere scollegato e spento quando viene pulito.
- Tenere i connettori e/o le porte pulite da polvere, lanugine, ecc, per evitare connessioni improprie.
- Evitare di rompere il dispositivo. Non posare oggetti su di esso o piegarlo con troppa forza.
- Se il prodotto comprende un cavo non piegarlo con troppa forza e non tirarlo per staccare il prodotto.
- Non bagnare il prodotto. Tenerlo sempre in un luogo asciutto e lontano dall'umidità.
- Quando il prodotto non è in uso riporlo in un luogo privo di sporco, polvere, liquidi, ecc.
- Se acqua o altri liquidi penetrano all'interno del prodotto, staccarlo immediatamente dalla corrente o dal dispositivo a cui è connesso.
- Evitare di far cadere o colpire il prodotto. Potrebbe danneggiarsi.
- Non usare il prodotto per scopi diversi da quelli preposti.
- Invitiamo a riciclare il prodotto secondo le leggi e regolamenti locali in materia di ambiente.

7. Informazioni di sicurezza

Leggere attentamente le seguenti istruzioni prima di usare per la prima volta il dispositivo:

- Quando si usa il dispositivo tenerlo lontano da qualsiasi fonte di calore (fuoco) e umidità (acqua e altri liquidi).
- Non usare il prodotto se bagnato o danneggiato.
- Non usare il prodotto con le mani bagnate.
- Non lasciare il prodotto in contatto con materiali infiammabili.
- Non esporre il prodotto ad alte temperature (per esempio: all'interno di un'auto in una giornata molto calda).
- Non lanciare il prodotto nel fuoco.
- Tenere il prodotto lontano dalla portata dei bambini.
- Scollegare o spegnere il prodotto se non si intende usare per un lungo periodo di tempo.
- Non usare il dispositivo se si percepiscono difetti visibili.
- Non cercare di aprire o forare il prodotto. Potrebbe danneggiarsi.
- Non usare il prodotto con dispositivi non compatibili.
- Non smontare o modificare il prodotto. Queste azioni annulleranno la garanzia.

8. Nota legale

Con la presente, Atlantis Internacional, dichiara che questo prodotto è conforme ai requisiti essenziali e alle ulteriori disposizioni di rilievo stabilite dalla Direttiva 2014/53/EC. Le caratteristiche e le funzioni descritte nel presente manuale sono basate su test effettuati dalla nostra azienda. È responsabilità dell'utente esaminare e verificare il prodotto a seguito dell'acquisto. Le specifiche e il design potrebbero essere modificate senza previo preavviso. Atlantis Internacional S.L. non è responsabile e non è perseguibile per qualsiasi perdita o danno personale, economico, materiale o per danni a dispositivi, causati dall'uso improprio, dall'abuso o dall'errata installazione del prodotto. Atlantis Internacional S.L. non è responsabile e non sarà mai da ritenersi responsabile per qualsiasi mancato funzionamento, comunicazione e connessione tra il prodotto e i dispositivi dotati di Bluetooth.

9. Smaltimento dei dispositivi elettronici ed elettrici

Questo simbolo indica che le apparecchiature elettriche ed elettroniche dovranno essere raccolte separatamente.



- Questo prodotto è progettato per essere raccolto separatamente presso il punto di raccolta assegnato. Non smaltirlo come rifiuti indifferenziati.
- Se l'apparecchio fa uso di batterie, queste devono essere rimosse dall'apparecchio e smaltite in un centro di raccolta adeguato. Se non è possibile rimuovere le batterie, non cercare di farlo in autonomia, l'operazione deve essere eseguita da un professionista qualificato.
- La raccolta differenziata e il riciclo aiutano a preservare le risorse naturali e prevengono le conseguenze negative per la salute degli esseri umani e per l'ambiente che potrebbero derivare da uno smaltimento sbagliato.
- Il prezzo finale di questo prodotto comprende il costo necessario per la corretta gestione ambientale dei rifiuti da esso derivati.
- Per maggiori informazioni, contattare il rivenditore o le autorità locali responsabili della gestione dei rifiuti.

CORE SMARTWATCH

Manual do utilizador

BXSW16N, BXSW16R

1. Características

1.1 Especificações técnicas

Ecrã: 1,43" AMOLED Multitouch 466 x 466

Bateria: Polímero de lítio 260 mAh

Frequência da tensão: 5V/2A 50-60 Hz

Conectividade: Bluetooth 5.0

Compatibilidade: Android 4.4 / iOS 9.0 e versões posteriores

Aplicação: CO-FIT

Material da caixa: ABS

Material do ecrã: Vidro temperado

Material da bracelete: Bracelete em silicone e fivela em aço inoxidável

Grau de proteção: IP67 (submersível a 1 metro durante 30 minutos)

Dimensões do relógio: 46 x 46 x 11 mm

Largura da bracelete: 22 mm

Diâmetro do fecho do pulso: 14 a 19 cm

Peso: 21,5 g

Autonomia: 5 dias em utilização normal, 2 dias em utilização intensa

Tempo de carregamento: 2 horas

Microfone e altifalante incorporados

Funções de saúde: Monitor desportivo, pedómetro, medidor de frequência cardíaca, medidor de pressão arterial, medidor de saturação de oxigénio no sangue, medidor de stress, monitor de sono, ciclo menstrual

Funções: Fazer e receber chamadas, notificações, assistentes de voz, controlo de música, controlo remoto da câmara, função anti-perda

Outras funções: Alarme, calculadora, calendário, cronómetro, temporizador, informações sobre a bolsa de valores, meteorologia, exercícios respiratórios, lembrete de sedentarismo, etc.

Idiomas: Inglês, espanhol, francês, alemão, italiano, português, russo, holandês, chinês, japonês, coreano, árabe, grego, finlandês, croata, turco, romeno, dinamarquês, ucraniano, urdu, hebraico, etc.

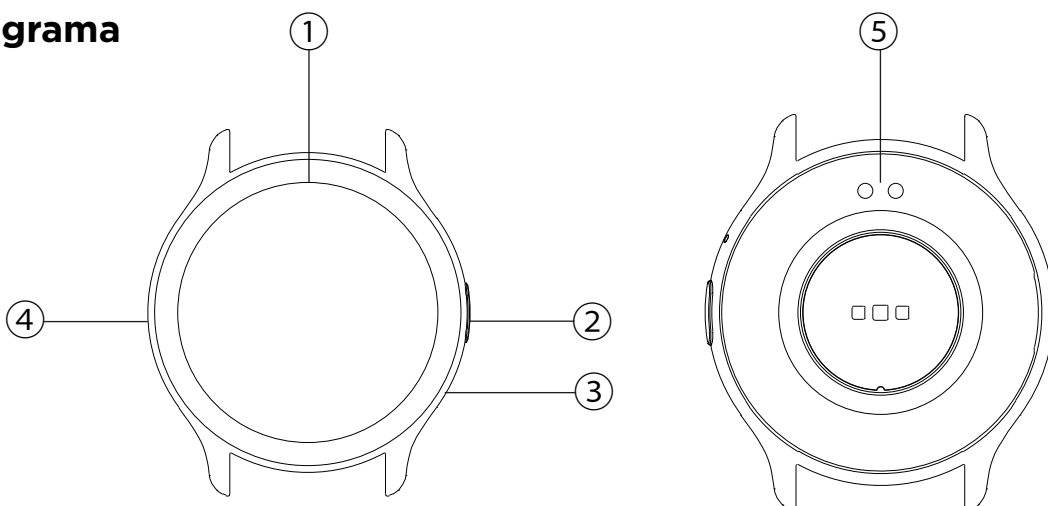
1.2 Na caixa

1 x Smartwatch

1 x Cabo USB-A com porta de carregamento magnético (60 cm)

1 x Manual

1.3 Diagrama



① Ecrã

② Botão

③ Microfone

④ Altifalante

⑤ Pinos de carregamento magnéticos

1.4 Como colocar e retirar as correias

Apesar de apenas uma correia estar incluída na caixa, pode ser colocada e retirada facilmente. A correia mais curta deve ser colocada na ranhura superior do ecrã, enquanto a correia mais comprida deve ser colocada na ranhura inferior do ecrã. Caso contrário, o sistema de inserção pode ficar irremediavelmente danificado.

1. Para retirar uma precinta: Segure a precinta e faça deslizar cuidadosamente a peça metálica para fora do respetivo orifício.
2. Para fixar uma correia: Segure a correia e insira a peça metálica numa das extremidades. Em seguida, faça deslizar a peça metálica na outra extremidade e insira a extremidade da correia de modo que, quando soltar a peça metálica, esta encaixe no orifício da caixa.

1.5 Carregamento

O tempo de carregamento completo do smartwatch Core é de aproximadamente 2 horas e a bateria pode durar até 5 dias, dependendo da utilização.

Utilize o cabo USB-A de 60 cm com porta de carregamento magnética incluído na caixa para carregar o smartwatch. Ligue o conetor USB-A a um carregador, a uma saída de computador ou a uma powerbank e coloque a porta magnética de forma que fique colada aos 2 pinos dourados que se encontram na parte de trás do relógio.

1.6 Ligar/desligar

Para ligar o smartwatch, prima o botão durante 3 segundos.

Para desligar o smartwatch, prima o botão durante 2 segundos; aparecerão 3 opções: desligar, reposição de fábrica e reiniciar. Toque em desligar ou em qualquer outra opção pretendida.

Também pode desligá-lo a partir do ícone de desligar no menu principal.

1.7 Sobre o grau de proteção IP

O smartwatch Core tem uma classificação de proteção IP67. Isto significa que pode resistir a uma imersão de 1 metro em água até 30 minutos.

Nota: No caso de nadar no mar ou numa piscina de água salgada, recomenda-se que lave o relógio com água doce após a imersão devido ao efeito corrosivo da água salgada.

2. Configuração inicial

2.1 Descarregar a aplicação

A aplicação compatível com o smartwatch Core chama-se Co-Fit. Existem várias formas de a descarregar:

- Toque aqui para descarregar a aplicação Co-Fit a partir do Google Play ou da App Store.



- Também pode descarregar a aplicação diretamente, escrevendo "Co-Fit" no motor de busca do Google Play ou da App Store.

- Outra forma de descarregar a aplicação é através de um código QR. Este código QR aparecerá quando ligar o smartwatch. Também pode obter o código QR deslizando o ecrã inicial para baixo e tocando no ícone QR.

2.2 Registrar na aplicação

O registo na aplicação é muito simples.

1. Quando acederes à aplicação, aceita as permissões e escolhe a tua região. Depois, verá o seguinte:



2. Recomendamos que aceda à aplicação com a opção Google. Quando o fizeres, escolhe o teu endereço Gmail ou Hotmail e iniciarás imediatamente a sessão. Uma vez lá dentro, verá este ecrã:



3. Introduza o seu e-mail e toque na opção enviar código de verificação. Quando o fizer, acederá a este ecrã:



4. Introduza o código de verificação que receberá na sua caixa de correio eletrónico. Depois de o fazer, está pronto a utilizar. Certifique-se de que aceita todas as permissões que a aplicação solicita para garantir um desempenho e uma utilização funcionais ótimos.

2.3 Emparelhamento de dispositivos iOS / Android

1. Active o Bluetooth do seu smartphone.

2. Inicie sessão na aplicação Co-Fit e aceda à secção de perfil (terceira opção na parte inferior do ecrã).

3. Toque na opção dispositivo. Depois de o fazer, verá os dispositivos que estão prontos a ser ligados. Toque no dispositivo denominado CORE.



4. Depois de tocar no dispositivo com o nome KSIX CORE, o processo de ligação será iniciado. Quando o fizer, mantenha o relógio perto do seu smartphone.



5. Como mencionado anteriormente, certifique-se de que aceita todas as permissões que a aplicação solicita. Certifique-se também de que a ligação por Bluetooth está correta. Se isso não acontecer, aceda às definições Bluetooth do seu telemóvel e selecione KSIX CORE.

2.4 Resolução de problemas

- Se a aplicação não conseguir encontrar o dispositivo, desligue o smartwatch e volte a ligá-lo.
- Se o dispositivo se ligar e desligar rapidamente, pode haver uma obstrução entre o dispositivo e o telemóvel. O uso de joias de metal pode interferir com a estabilidade da ligação.
- Se o dispositivo não carregar, pode ser devido a uma porta de carregamento suja ou enferrujada.

3. Utilização e funções

È molto importante accettare sempre tutte le autorizzazioni richieste dall'app, in modo che lo smartwatch funzioni in modo ottimale. Attivare anche tutte le funzioni desiderate dall'opzione del dispositivo nella sezione del profilo dell'app Co-Fit.

3.1 Como navegar no smartwatch

O método de utilização do smartwatch Core é muito simples e intuitivo:

• Via deslizamento de ecrã

Deslize o dedo para a direita ou para a esquerda a partir do ecrã principal para aceder ao menu de acesso rápido. Para escolher as funcionalidades que pretende visualizar, deslize o dedo para a esquerda ou para a direita a partir do ecrã inicial e toque no ícone "+". Uma vez lá dentro, verá opções como ritmo cardíaco, controlo de música, monitor de sono, meteorologia, entre muitas outras. Toque no ícone verde "+" junto a cada função para as adicionar ao menu de acesso rápido. Quando deslizar novamente para a direita a partir do ecrã principal, verá que as opções que selecionou serão apresentadas. O menu de acesso rápido à esquerda e à direita não são independentes, o que significa que, quer passe o dedo para a direita ou para a esquerda, serão apresentadas as mesmas funções, mas pela ordem oposta.

Deslize o dedo para baixo a partir do ecrã principal para aceder ao menu de opções. Aqui encontra diferentes funções, como o modo não incomodar, as definições, o alarme, o brilho do ecrã, entre outras. Para aceder a qualquer uma destas opções, toque no ícone correspondente.

Deslize o dedo para cima a partir do ecrã principal para ver as notificações de aplicações, chamadas perdidas, mensagens de texto e outras notificações.

• **Via botão**

Prima o botão do smartwatch para aceder ao menu principal. Aqui poderá aceder a todas as funcionalidades do smartwatch tocando no ícone correspondente.

3.2 Mudar o mostrador do relógio

Existem 2 opções quando se trata de mudar o mostrador do relógio do Core:

- A primeira opção é a partir do próprio smartwatch. No ecrã inicial, basta tocar no ecrã durante 2 segundos e verá vários mostradores. Toque no que mais lhe agrada para o transformar no mostrador do ecrã inicial.
- A segunda opção é a partir da aplicação Co-Fit. Na secção do dispositivo, toque em tema. Será apresentada uma grande variedade de temas; transfira o que mais gostar e será adicionado à lista de mostradores do seu smartwatch. A partir da mesma secção da aplicação, também pode aceder a uma ferramenta de personalização do mostrador do relógio. Aqui, poderá escolher o papel de parede do relógio, um mostrador digital ou analógico e adicionar dados de desporto/saúde. Também pode utilizar uma imagem da galeria do seu smartphone como papel de parede.

3.3 Chamadas

O smartwatch Core permite-lhe fazer, receber, atender e rejeitar chamadas. É possível manter uma conversa telefónica apenas com o smartwatch graças ao microfone e altifalante incorporados.

• **Receber, atender e rejeitar chamadas**

É muito importante ter a função de chamadas recebidas ativada para receber chamadas. As chamadas aparecerão em tempo real no ecrã e o relógio vibrará.

As chamadas podem ser aceites premindo o ícone verde e rejeitadas premindo o ícone vermelho.

Se a chamada for aceite, pode ser terminada premindo o ícone vermelho. Para rejeitar a chamada, toque no ícone vermelho antes de a atender. Uma notificação de chamada perdida aparecerá no ecrã do smartwatch.

Caso a função de chamada recebida não esteja ativada, o smartwatch apenas apresentará as notificações de chamada recebida, mas não emitirá sinais em tempo real nem vibrará.

• **Fazer chamadas**

Existem três opções quando se trata de efetuar chamadas:

- **Ligar para um contacto:** Escolha até 20 contactos na opção de sincronização de contactos, na secção do dispositivo da aplicação Co-Fit. Depois de o fazer, aceda ao menu principal do smartwatch e toque no ícone azul que mostra uma pessoa. Aqui verá os contactos que escolheu previamente através do Co-Fit. Toque no contacto pretendido para fazer a chamada.
- **Marcação:** Aceda ao menu principal do smartwatch e toque no ícone verde de marcação. Uma vez lá dentro, poderá marcar o número de telefone para o qual pretende ligar. Quando marcado, toque no ícone verde do telefone para efetuar a chamada.
- **Menu de chamadas:** Aceda ao menu principal do smartwatch e toque no ícone azul que mostra um telefone. Uma vez lá dentro, verá 3 opções. A primeira opção permite-lhe ligar para um contacto. A segunda opção permite-lhe ver um registo de chamadas; toque na opção pretendida para fazer uma chamada. A terceira opção permite-lhe marcar um número de telefone. Também pode anexar esta função ao menu de acesso rápido.

3.4 Notificações

O smartwatch apresenta as notificações do seu smartphone. Isto inclui aplicações como: WhatsApp, Gmail, Instagram, Twitter, LinkedIn, entre muitas outras. Certifique-se de que ativa todas elas através da aplicação Co-Fit.

Para aceder às notificações recebidas, deslize o ecrã principal para cima.

3.5 Assistentes de voz

O smartwatch Core é compatível com os assistentes de voz. Para configurar corretamente os assistentes de voz, é necessário ter sincronizado com êxito o smartwatch com o seu smartphone através da aplicação Co-Fit e ter ativado todos os acessos.

Para aceder a esta função, entre no menu principal do smartwatch e toque no ícone roxo que mostra as ondas sonoras. Uma vez lá dentro, toque no ícone do assistente de voz e faça o seu pedido.

3.6 Controlo da música

O smartwatch possui uma ferramenta de controlo de música. Aceda ao menu principal do smartwatch e toque no ícone da nota musical. Uma vez lá dentro, verá várias opções:

- Reproduzir/Pausa: Toque no ícone para pausar ou reproduzir a música que está a ouvir.
- Música anterior/Música seguinte: Toque no ícone anterior ou seguinte para reproduzir a música anterior ou seguinte.
- Trocar de dispositivo: Toque no ícone do dispositivo no canto inferior esquerdo para alternar entre o dispositivo que está a reproduzir a música. Pode trocar entre o seu smartphone e o smartwatch.

Pode adicionar esta ferramenta ao menu de acesso rápido.

3.7 Controlo remoto da câmara

O smartwatch Core permite-lhe tirar fotografias a partir do seu smartphone à distância. Aceda ao menu principal do smartwatch e toque no ícone da câmara. Uma vez lá dentro, toque na câmara para tirar uma fotografia a partir do seu smartphone.

Para que esta função funcione, é necessário aceder primeiro à aplicação Co-Fit e deixá-la aberta.

3.8 Função anti-perda

O smartwatch tem uma função anti-perda. Certifique-se de que ativou esta opção na aplicação Co-Fit. Esta ferramenta fará soar o seu telemóvel para que o possa encontrar.

Para utilizar esta função, aceda ao menu principal do smartwatch e toque no ícone azul do smartphone. Uma vez lá dentro, toque no ícone de reprodução para fazer soar o seu telemóvel.

3.9 Outras funções

O smartwatch Core possui uma grande variedade de outras funções, tais como: alarme, calculadora, calendário, cronómetro, temporizador, informações sobre a bolsa de valores, meteorologia, exercícios respiratórios, lembrete de sedentarismo, entre outras.

4. Saúde

4.1 Desporto

O smartwatch Core permite-lhe monitorizar uma variedade de desportos. Aceda ao menu principal do smartwatch e toque no ícone laranja do corredor. Uma vez lá dentro, verá uma grande variedade de desportos, tais como: corrida, escalada, ciclismo, futebol, basquetebol, ioga, entre outros.

Toque no desporto pretendido para iniciar a monitorização. Assim que o fizer, serão apresentados dados do desporto em tempo real, tais como: ritmo cardíaco, passos dados, calorias queimadas e tempo despendido. Estes dados podem variar consoante o desporto

praticado.

Também pode aceder à monitorização da corrida (ícone verde de corredor) e do ciclismo (ícone roxo de ciclista) diretamente a partir do menu principal do smartwatch. Também poderá começar a monitorizar os seus desportos a partir da aplicação Co-Fit, na secção de desportos.

4.2 Pedómetro, calorias e distância percorrida

O smartwatch regista automaticamente os passos dados, as calorias queimadas e a distância percorrida. Para ver esta informação, aceda ao menu principal do smartwatch e toque no ícone com semicírculos azuis, verdes e vermelhos.

Estes dados também aparecerão na secção de estado da aplicação Co-Fit. Também é possível anexar esta função ao menu de acesso rápido.

4.3 Medidor de frequência cardíaca

O smartwatch Core monitoriza automaticamente o seu ritmo cardíaco. Active esta função na secção do dispositivo da aplicação Co-Fit e escolha o intervalo de monitorização (a cada 30 minutos, a cada hora, etc.).

Poderá também medir imediatamente o seu ritmo cardíaco. Para utilizar esta ferramenta, aceda ao menu principal do smartwatch e toque no ícone vermelho do coração. Após alguns segundos, é apresentado o número de batimentos cardíacos por minuto.

Estes dados serão apresentados na secção de estado do Co-Fit. Também pode anexar esta função ao menu de acesso rápido.

4.4 Medidor de tensão arterial

O smartwatch permite-lhe medir a sua tensão arterial instantaneamente. Para o fazer, aceda ao menu principal do smartwatch e toque no ícone do estetoscópio.

Uma vez lá dentro, toque no ícone de reprodução e mantenha-se imóvel. Após alguns segundos, são apresentados os dados da sua tensão arterial.

Estes dados serão apresentados na secção de estado do Co-Fit.

4.5 Medidor da saturação de oxigénio no sangue

O smartwatch Core permite-lhe medir instantaneamente os seus níveis de saturação de oxigénio no sangue. Para utilizar esta ferramenta, aceda ao menu principal do smartwatch e toque no ícone do sangue vermelho.

Uma vez lá dentro, mantenha-se imóvel e, após alguns segundos, serão apresentados os valores de saturação de oxigénio no sangue.

Estes dados serão apresentados na secção de estado do Co-Fit. Também pode anexar esta função ao menu de acesso rápido.

4.6 Medidor de tensão

O smartwatch inclui um medidor de stress. Para utilizar esta ferramenta, aceda ao menu principal do smartwatch e toque no ícone azul que mostra uma pessoa e um coração.

Uma vez lá dentro, fique parado e, após um minuto, os seus dados de stress serão apresentados.

Estes dados serão apresentados na secção de estado do Co-Fit. Também pode anexar esta função ao menu de acesso rápido.

4.7 Monitor do sono

O smartwatch Core funciona enquanto dorme e fornece estatísticas sobre o tempo e a qualidade do seu sono. As informações disponíveis desta ferramenta são mais detalhadas na aplicação Co-Fit do que no smartwatch:

- No smartwatch: Para consultar o tempo que dormiu, aceda ao menu principal e toque no ícone roxo da lua. Uma vez lá dentro, será apresentado o tempo que dormiu, bem como o tempo que esteve em sono profundo, sono leve e acordado.
- Na aplicação: Os seus dados de sono também serão apresentados na secção de estado da aplicação Co-Fit. Aqui, poderá ver o tempo que dormiu, bem como o tempo que esteve em sono profundo, sono leve e acordado. Poderá também visualizar um registo semanal e mensal do sono com todos os seus dados de sono.

Também pode anexar esta função ao menu de acesso rápido.

4.8 Ciclo mestruale 4.8 Ciclo menstrual

A aplicação Co-Fit permite-lhe definir lembretes relacionados com o seu ciclo menstrual. Entre na secção de dispositivos da aplicação Co-Fit e toque na opção de controlo de saúde. Uma vez lá dentro, poderá definir alguns dados que serão apresentados no menu de acesso rápido do smartwatch. Dados como a duração do período, a duração do ciclo, o último período menstrual, bem como lembretes de período e ovulação.

Poderá ver todas as notificações do seu ciclo menstrual no menu de acesso rápido do smartwatch e manter-se atualizada com os dados do seu período.

5. Cláusula de isenção

1. Os dados relativos ao ritmo cardíaco e à tensão arterial do smartwatch Core não devem ser utilizados como base para qualquer decisão médica ou de diagnóstico.
2. Apenas pessoal médico qualificado pode diagnosticar e tratar doenças cardiovasculares e problemas de tensão arterial elevada. Contacte o seu centro médico para obter uma opinião médica e não faça o tratamento ou diagnóstico por si próprio.
3. Os dados do ritmo cardíaco e da tensão arterial do smartwatch Core podem não ser exatos devido a fatores como a interferência do sinal, a colocação incorreta do dispositivo ou alterações meteorológicas ou fisiológicas.
4. Não utilize os dados do smartwatch Core para modificar a sua medicação ou tratamento médico. Siga as instruções fornecidas pelo pessoal médico autorizado.
5. Não assumimos qualquer responsabilidade pela inexatidão dos dados acima referidos, nem assumimos qualquer responsabilidade pelas consequências da utilização de tais informações.

6. Recomendações de manutenção

- Limpe regularmente o produto com um trapo seco. O produto deve estar desligado ou apagado quando se limpe.
- Mantenha os portos e ligações do produto limpos de pó, sujidades, etc., para garantir uma ligação correta.
- Evite roturas no produto. Não coloque objetos em cima nem o dobre com excessiva força.
- Se o produto tem um cabo, não o dobre nem o estique com força excessiva para não o estragar.
- Mantenha o produto sempre num lugar seco e longe da humidade.
- Quando não use o produto, guarde-o num lugar limpo e seco, longe da humidade e da sujidade.
- Se entra água no produto, desligue-o imediatamente de qualquer fonte de energia ou dispositivo ao qual esteja ligado.
- Evite pancadas e quedas que possam estragar o produto.
- Não use o produto para outro fim, que não seja o para o qual foi desenhado.
- Recicle o produto de acordo com as normas e regulações ambientais locais.

7. Informação de segurança

Antes do uso inicial, leia atentivamente as instruções seguintes:

- Mantenha o produto longe de uma fonte de calor (fogo) e de humidade (água e outros líquidos).
- Não deixe o produto em contacto com matérias inflamáveis.
- Não exponha o produto a altas temperaturas (por exemplo: dentro de um carro num clima quente).
- Não deite o produto ao fogo.
- Mantenha o produto fora do alcance de crianças.
- Desligue o produto se não o vai utilizar.
- Não use o produto se aprecia defeitos visíveis.
- Não abra, nem fure, nem dê pancadas ao produto. Poderia causar estragos.
- Não use o produto com dispositivos ou objetos incompatíveis.
- Não desmonte nem modifique o produto. Essas ações invalidam a garantia.

8. Aviso legal

Pelo presente, a Atlantis Internacional declara que este produto cumpre os requisitos essenciais e outras disposições relevantes da Diretiva 2014/53/EC. As características e funções descritas neste manual baseiam-se em testes realizados pela Atlantis Internacional S.L. É responsabilidade do utilizador examinar e verificar o produto após a sua compra. As especificações e o desenho do modelo podem ser alterados sem aviso prévio. A Atlantis Internacional S.L. não é responsável nem poderá nunca ser responsabilizada por quaisquer perdas ou danos pessoais, perdas económicas, perdas materiais ou quaisquer danos devido a utilização indevida, abuso ou instalação inadequada do produto. Para productos eletrónicos Bluetooth, a Atlantis Internacional S.L. não é responsável nem nunca poderá ser responsabilizada por qualquer falha de função, comunicação ou ligação entre o produto e o computador, smartphones ou tablet.

9. Eliminação de dispositivos eletrónicos e elétricos

Este símbolo indica que os equipamentos elétricos e eletrónicos devem ser recolhidos separadamente.



- Este produto deve ser entregue num ponto de recolha apropriado para recolha seletiva. Não elimine como lixo doméstico.
- Se o equipamento usar pilhas, as mesmas devem ser removidas do equipamento e eliminadas num centro de recolha apropriado. Se não for possível remover as pilhas, não tente fazê-lo, pois isso deverá ser feito por um profissional qualificado.
- A recolha separada e a reciclagem ajudam a preservar os recursos naturais e a evitar consequências negativas para a saúde humana e o ambiente que possam resultar de uma eliminação incorreta.
- Para mais informações, contacte o comerciante ou as autoridades locais responsáveis pela gestão de resíduos.

Declaración de Conformidad CE / CE Declaration of Conformity / Declaração de conformidade

Certificamos que el producto descrito a continuación es conforme con el marcado CE y la directiva RED, de acuerdo con las siguientes normas europeas:/ We hereby declare that the product (s) listed below satisfies the provision for CE-marking according to the following European directive(s): / Certificamos que o produto descrito a continuação é conforme o marcado CE e adiretiva RED, de acordo com as seguintes normas europeias:

ETSI EN 301 489
ETSI EN 300 328
EN 62479: 2010
EN IEC 62368

Artículo/Article/Artigo: BXSW16N / BXSW16R
EAN: 8427542130613 / 8427542130620

Fabricante / Manufacturer/ Fabricante:

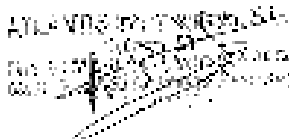
ATLANTIS INTERNACIONAL, S.L.

Dirección / Address / Endereço:

Carrer del Crom, 53, 08907 L'Hospitalet de Llobregat, Barcelona (Spain)

Lugar y fecha de declaración /Place and date of the declaration / Lugar e data da declaração

L'Hospitalet de Llobregat, 4 de agosto de 2023 / August, 4th 2023 / 4 de agosto de 2023



Nico Broder
General Manager